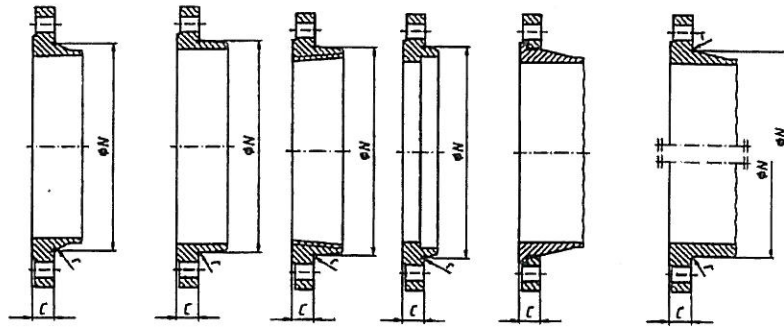


Type 05

This diagram illustrates the arrangement but not necessarily the correct number of bolt holes; refer to table 8 for the actual number.

NOTE : for facing dimensions, see table 5.



Type 11 Type 12 Type 13 Type 14 Type 16 Type 21

Figure 5 : Dimensions of PN 10 flanges
 (see table 8)