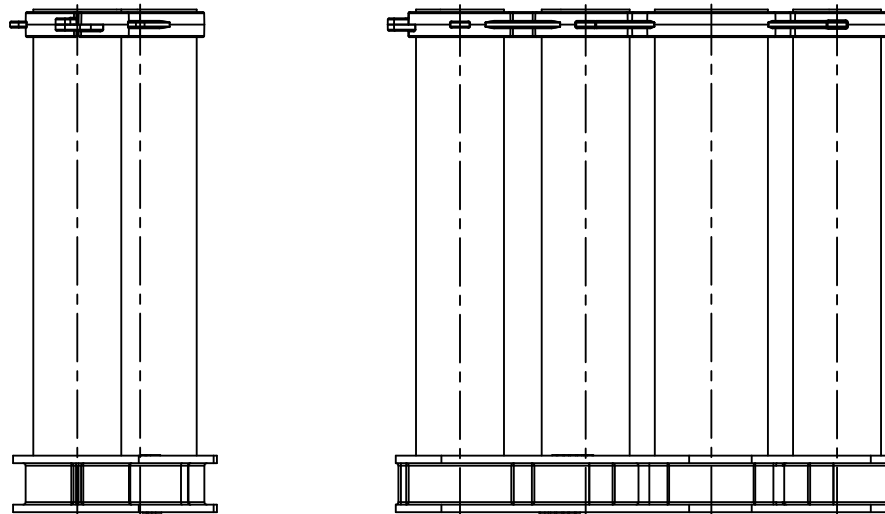
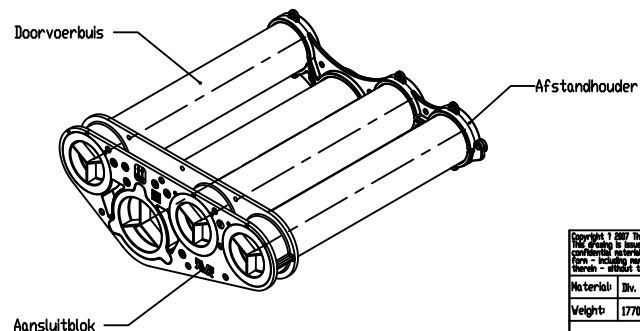
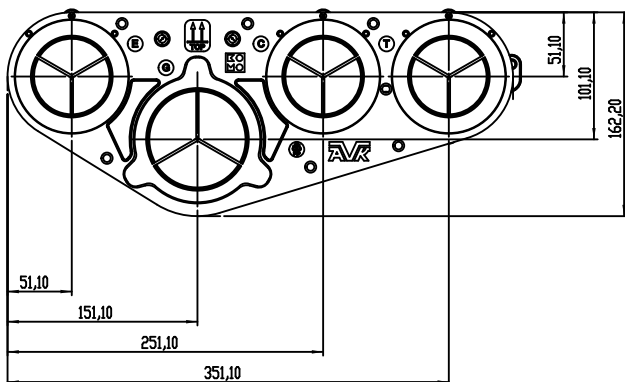


BOVENAANZICHT



ONDERAANZICHT



Copyright © 2007 The AVK Group This drawing is owned by AVK. The drawing is confidential material. It must not be reproduced in any form - including manufacture of the product, from which - without the written consent of AVK.		Tolerances mm 0.10-0.20 0.20-0.30 0.30-0.50 0.50-1.00 1.00-2.00 2.00-5.00	1:3.2 A1 1:5 1:10 1:20 1:50 1:100 1:200
Material:	Blv.	Drawn by: JvdG	Date: 02-10-09
Weight:	1770 Gr.	Appr. by: PdG	Date: 19-07-11
AVK Plastics BV Goekemastraat 62 8561 AH Balk		Projection: 	Size: A2 Scale: 1:3

REV.	DESCRIPTION	DATE	BY	Title:			
DNT-03	Tekening bijgewerkt	19-7-2011	JvdG	Samenstelling Funderingsdoorvoer			
DNT-02	Schaal in rechteronderhoek aangepast naar 1:3	2-11-2009	JvdG				
DNT-01	-	2-11-2009	-				
		Article No.:	PR-436-01	Drawing No.:	PR-436-01	Rev.:	DNT-03