

AVK REPICO® COUPLINGS AND REPAIR COUPLINGS



REPICO®
GET CONNECTED



AVK INDUSTRIAL – RELIABLE FLOW CONTROL SOLUTIONS

The AVK Group is a privately owned industrial group comprising more than 100 companies worldwide. We design and manufacture high-quality valves, hydrants, and accessories for a wide range of industrial applications, as well as for water and gas distribution and wastewater treatment.

Your industrial valves expert

AVK Industrial Nederland BV is a trusted supplier of valves and fittings for the industrial market in the Netherlands. As part of the globally recognized AVK Group, we deliver high-quality flow control solutions for a wide range of applications, including water and gas distribution, wastewater treatment, fire protection, and industrial processes.

Our expertise is focused on key industrial segments such as fire protection, chemical processing, oil & gas, life science, industrial water treatment plants, energy generation, and marine. We provide both standard products and engineered solutions, designed to meet the highest standards of safety, durability, and performance in demanding environments.

Operating from our facilities in Vaassen, the Netherlands, we combine strong local presence with global expertise. All AVK products are developed in accordance with international standards and are supplied worldwide, ensuring long-term reliability and consistent performance throughout the entire lifecycle of installations.

Our ambition is to exceed customer expectations by delivering added value in every project. When working with AVK, customers can rely on our core values: Quality, Innovation, Reliability, Sustainability, and Customer Service the foundation for long-lasting partnerships and continuous improvement. increased customer benefits!



Above: Production facility of AVK Nederland BV where Repico® is produced
Right: Robotic welding in the factory

Repico® stainless steel couplings

At our production facility AVK Rewag in Vaassen, the Netherlands, the Repico® product range has been integrated into our portfolio of high-quality flow control solutions. These stainless steel couplings provide a reliable and efficient solution for connecting and repairing piping systems.

The Repico® coupling enables quick and easy installation of both tensile-resistant and flexible pipe connections. For repair applications, the Repico® repair coupling allows fast leak sealing with minimal downtime, typically installed within minutes.

To ensure optimal performance across various applications, Repico® couplings are available with different sealing materials, including EPDM, NBR, silicone, and FKM. In addition, customized solutions can be provided to meet specific application requirements.

Designed for durability, ease of installation, and long-term reliability, Repico® products support efficient maintenance and safe operation in demanding environments.

CONTENTS

	Page
Repico®, the basic principles	4
Your product benefits	5
Segments and applications	6
Approvals and certificates	7
Case stories	9
Repico® G- Grip coupling.....	10-11
Repico® GP- Grip Plastic coupling.....	12-13
Repico® S- Slip coupling	14-15
Repico® SD- Slip coupling two locks.....	16-17
Repico® SG- Slip Grip coupling	18-19
Repico® RH- Hinge repair coupling	20-21
Repico® RSD- Repair coupling two locks	22-23
Repico® RE- Repair coupling for elbows	24-25
Repico®, Engineered products.....	26
Repico®, Accessories	27
Installation conditions	28-30
Product overview	31
Tables.....	32-35
AVK your long-term partner	36

REPICO® - THE BASIC PRINCIPLES

Repico® couplings enable fast, simple, and reliable pipe connections without the need for flanging, threading, grooving, or welding. This reduces installation time and simplifies on-site operations. The Repico® system is based on two main configurations: Grip and Slip type couplings. These provide flexibility in application, allowing for both restrained and non-restrained connections depending on the project requirements.

Repico® G – Grip type (axially restrained)



Tensile-resistant coupling with integrated grip rings that anchor securely into the pipe wall, preventing axial movement.

Increasing internal pressure enhances the grip action. Sealing is provided by an internal elastomer gasket for a reliable, leak-tight connection.

Repico® S – Slip type (flexible, non-restrained)



Flexible, non-restrained coupling designed for easy pipe connection and alignment. Sealing is achieved by an internal elastomer gasket, ensuring a reliable, leak-tight connection.

As no grip rings are applied, external pipe restraint is required. The coupling allows for controlled axial movement, compensating for thermal expansion and minor misalignment. Depending on size and application, Repico® Slip couplings are available in 2-, 3-, or 4-lock configurations.

Progressive sealing and anchoring

All Repico® couplings and repair couplings are equipped with a progressive sealing system, based on a wedge-shaped gasket design. This ensures that sealing performance improves as internal pressure increases.

In Repico® Grip couplings, the integrated grip rings provide progressive anchoring of the pipe. As load increases, the teeth embed deeper into the pipe wall, maintaining a secure and reliable connection under varying operating conditions.

Repico® G – Grip type



Before tightening



After tightening

Repico® S – Slip type



Before tightening



After tightening

The Repico® SG - Slip/Grip type and repair couplings

The Repico® SG coupling combines the benefits of both systems, featuring a slip connection on one side and a grip connection on the other, allowing for flexible yet secure pipe connections.

In addition, AVK offers a wide range of Repico® repair couplings, designed for fast and efficient pipe repair. Unlike standard Slip couplings, these repair couplings are equipped with a split rubber

gasket, enabling easy installation around existing pipelines without disassembly, while maintaining the same progressive sealing performance.

Repico® repair couplings are available in two configurations: hinged or lock-type designs, providing flexibility for various installation conditions and applications.

YOUR PRODUCT BENEFITS

Universally applicable

- Suitable for use with all pipe materials
- Compatible with a wide range of pipe joining systems
- Connections between pipes of the same or different materials

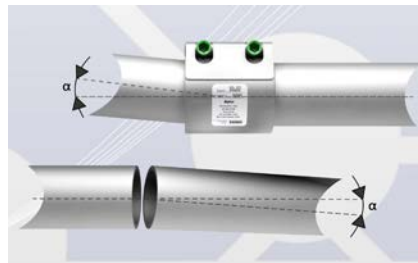


Easy installation

- Delivered ready for fast and easy installation
- No time-consuming preparation of plain-ended pipes is required
- Simply cut pipes to length, position the coupling, and tighten bolts

Economical

- No special installation tools and set-up time required
- Enables fast and reliable pipe repairs without service interruption
- Maintenance-free, trouble-free and long service life

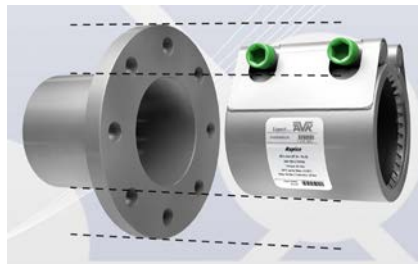


Easy handling

- Easy to remove and reuse
- Quick and accurate alignment and installation
- Assembly without fire or explosion risk
- Lightweight

Durable

- Progressive sealing and anchoring effect
- Corrosion and temperature resistant
- High chemical resistance



Space saving

- Compact design enabling space-saving installation
- Allows pipe isolation in confined spaces
- Requires only minimal installation space and small opening

Reliable

- Flexible and stress-free connection
- Absorbs angular deflection and axial movement
- Ensures secure, pressure-resistant and leak-tight performance
- Maintains reliability even with minor pipe misalignment



Safe operation

- Dampens water hammer, vibrations and structure-borne noise
- Prevents transfer of stress and reduces risk of pipe damage
- Resistant to external impacts, including underwater pressure and collisions

YOUR AVK BENEFITS

One-stop-shop

AVK offers a complete one-stop-shop solution for the industrial market. In addition to Repico®, our portfolio includes a full range of valves, hydrants, fittings, and accessories, all designed to meet the highest standards of performance, safety, and durability. Our dedicated sales team provides expert advice and support to help you select the right solution for every application.

10-year warranty

All AVK manufactured products are covered by a 10-year warranty against defects in materials and workmanship, ensuring long-term reliability and peace of mind.



SEGMENTS AND APPLICATIONS

The installation of Repico® couplings is simple, fast, and reliable, minimizing installation time and effort. Even under the most demanding conditions, Repico® couplings ensure dependable performance and long-term reliability.

Designed for versatility, these couplings are suitable for a wide range of applications, providing an efficient solution for modern piping systems.

WATER & GAS

- Water lines
- Gas lines
- Tank lines
- Hydrant lines
- Chemical lines
- Wells
- Drainage lines
- Aeration lines
- Sludge lines



INDUSTRY AND GROUNDWORKS

- Fire fighting lines
- Cooling lines
- Sanitary lines
- Transport lines
- Ventilation lines
- Utility lines
- Fuel lines
- Penstock lines
- Turbine lines
- Lubrication lines

MARINE AND OFFSHORE

- Fire fighting lines
- Sea water cooling systems
- Ballast lines
- Fuel lines
- Vent lines



PRESSURE PIPELINE BERGEN OP ZOOM REPICO® STFL DN1500

A football field, two meters underwater. And that within one hour. That is the amount of wastewater the installations at the pressure station in Bergen op Zoom pump every sixty minutes towards the treatment plant in Bath, Zeeland. The wastewater pressure pipeline between Moerdijk and Bath is the beating heart of regional water management. Distributed over two pipelines, together 60 kilometers long, wastewater from 35 villages and towns is transported at high speed to the treatment plant.

To ensure this wastewater can continue to be transported safely in the future, several sections of the pressure pipeline have been renewed. Various pipe types with minimal tolerance space were precisely connected using five robust Repico® STFL DN1500 couplings. During the renewal of this pipeline, it was necessary to transition between existing PSK concrete pipes and Bonna Sentab VSP pipes to new GRP pipes. For this purpose, five Repico® STFL DN1500 couplings were produced.



The tolerance space in this transition was minimal (only ± 1 mm), making absolute dimensional accuracy and flexibility necessary. The couplings are made of AISI 316L stainless steel with a rubber seal. With a coupling width of 310 mm and a tolerance range of 12 mm, this solution forms a perfect combination of strength, flexibility, and sealing reliability.



Installation was carried out by M.J. Oomen sewer and concrete technology, part of KWS. In close cooperation with AVK, the concept was aligned with practical application, from engineering to execution. This ensured not only the fit but also the long service life of the connection. "The couplings were very pleasant and easy to install," said a technician from M.J. Oomen Sewer and Concrete Technology. "Choosing Repico® also meant: no welding, no gluing, and minimal installation time." Ideal for projects where downtime directly impacts daily operations.

This case demonstrates what happens when water management, technology, and craftsmanship come together. By deploying the right materials and partners, a crucial part of the Brabant wastewater system has been future-proofed. The Repico® STFL DN1500 couplings not only form the physical connection between pipes but also serve as a link in the broader chain of clean water, safe discharge, and environmentally conscious infrastructure.

VICTORIAN WATER TREATMENT FACILITY **REPICO® SDF DN1200**

The Victorian Water Treatment Facility in Melbourne provides clean and purified water for the city and its surrounding region. Before distribution, the water is filtered and disinfected to remove impurities.

To continue delivering clean, safe, and reliable water in the future, the Victorian Water Treatment Facility has been expanded with an additional UV disinfection plant. AVK Industrial was awarded the contract for the supply of fifteen DN1200 stainless steel Repico® pipe couplings and butterfly valves for this expansion.

For this installation, AVK Industrial used Desponia centric butterfly valves, manufactured by InterApp Spain, a division of the AVK Group. With over 50 years of experience, InterApp is an international supplier of solutions for the most-demanding applications and projects with PTFE-lined and elastomer-lined butterfly valves. The manually operated butterfly valves are equipped with Rotork gearboxes, while the automated valves are fitted with Limatorque actuators, provided by Acrodyne. All valves undergo extensive factory acceptance testing (FAT) to guarantee their compliance with high-quality standards.



The fifteen DN1200 SS Repico® pipe couplings, Slip Double Force type, were manufactured in the modern production facility of AVK Industrial Nederland (formerly AVK REWAG), a knowledge center specializing in stainless steel products. The production facility draws upon over 40 years of expertise, with products delivered to more than 50 countries by skilled and dedicated professionals.

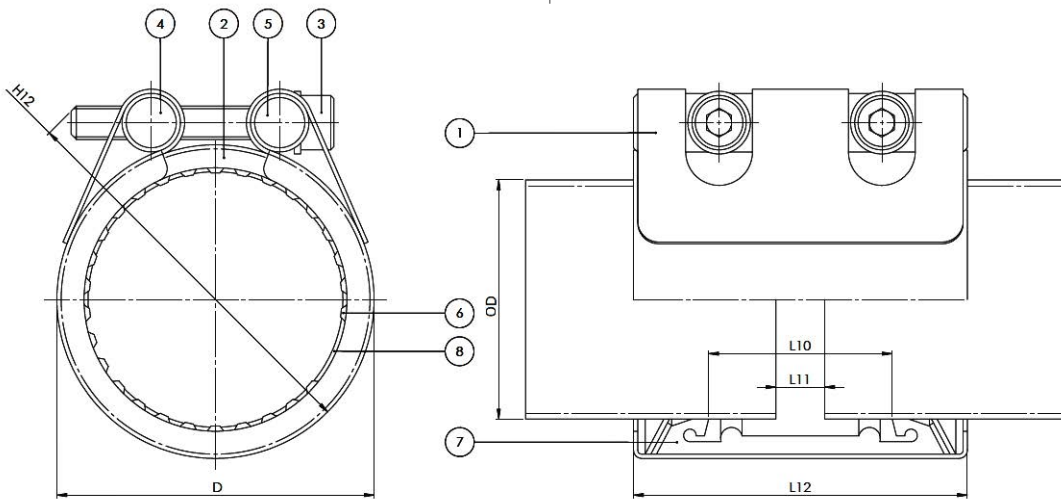
Repico® couplings are the ideal choice for applications requiring robust, durable, and leak-free connections for large diameters. The Repico® Slip couplings, featuring progressive sealing technology, are not rigid, allowing for flexible, leak-free connections that can absorb shrinkage and expansion within the pipeline. Repico® couplings stand out due to their flexibility and ease of installation, even in tight spaces, while effortlessly compensating for slight pipeline deviations - thereby helping to improve the lifespan and reliability of the entire installation.

AVK Industrial Australia closely teamed up with the John Holland Group to arrive at the most appropriate technical solution for this project. This collaboration contributed to the delivery of a robust and future-proof water treatment plant. The coordination from AVK Industrial was led by Royce Paul, Business Development Manager VIC. It was a rewarding project for both the client and for AVK Industrial.

REPICO® G

GRIP COUPLING

Tensile/axial restraint, for all metal pipes, stainless steel 316L



1	Body	Stainless steel 316L
2	Slide plate	Stainless steel 316L
3	Bolt	Stainless steel A4, coated
4	Bar nut	Stainless steel 316

5	Bar washer	Stainless steel 316
6	Grip segment	Stainless steel 301H
7	Sealing	EPDM, NBR, Silicone or FKM
8	Support ring	Stainless steel 301H

Components may be substituted with equivalent or higher-class materials without prior notification.



On request other Grip type couplings are available:

- Repico® GLP - low pressure version
- Repico® GMP - medium pressure version
- Repico® GF - high pressure version

Please contact our sales department for further details and assistance.

Remarks:

- Follow the fitting/disassembly instructions
- Strip inserts are an optional accessory (see page 27)
- Working pressure for marine application: minimum burst pressure is 4 x PN
- Working pressure for industrial and land-based applications: minimum burst pressure is 1,5 x PN

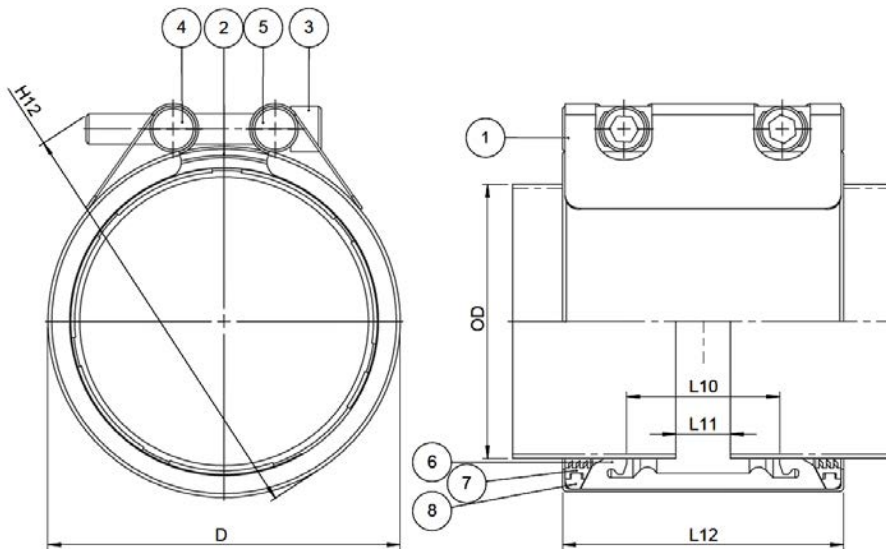
Article number	Pipe DN	Nom. Diam.	Pipe OD		Coupling range (mm)	D (mm)	Working pressure (bar)		Length		Gap L11 (mm)	Torque Nm	Thread M	Allen head mm
			DIN/ISO	Other			Marine SF4	Industry SF1,5	L12 (mm)	L10 (mm)				
			mm	mm										
745-01-0020-CC-D-EE-FF	15			20,0	19,5 - 20,5	29,0	16,0	42,7	60	28	8	7	6	5
745-01-0021-CC-D-EE-FF	15	1/2	21,3	21,7	21,2 - 22,2	31,0	16,0	42,7	60	28	8	7	6	5
745-01-0025-CC-D-EE-FF	20			25,0	24,5 - 25,5	38,0	16,0	42,7	60	28	8	8	8	6
745-01-0027-CC-D-EE-FF	20	3/4	26,9	26,7	26,7 - 27,7	40,7	16,0	42,7	60	28	8	8	8	6
745-01-0028-CC-D-EE-FF	20			28,2	27,5 - 29,0	41,6	16,0	42,7	60	28	8	8	8	6
745-01-0030-CC-D-EE-FF	25			30,0	29,5 - 30,5	43,5	16,0	42,7	60	28	8	8	8	6
745-01-0032-CC-D-EE-FF	25			32,0	31,5 - 32,5	45,5	16,0	42,7	60	28	8	8	8	6
745-01-0034-CC-D-EE-FF	25	1	33,7	33,7	33,0 - 34,6	47,5	16,0	42,7	60	28	8	8	8	6
745-01-0038-CC-D-EE-FF	32			38,0	37,5 - 38,5	51,5	16,0	42,7	60	28	8	15	8	6
745-01-0040-CC-D-EE-FF	32			40,0	39,5 - 41,5	53,5	16,0	42,7	60	28	8	15	8	6
745-01-0042-CC-D-EE-FF	32	1 1/4	42,4	42,7	41,9 - 43,0	56,0	16,0	42,7	60	28	8	15	8	6
745-01-0044-CC-D-EE-FF	32			44,5	44,0 - 45,0	58,0	16,0	42,7	60	28	8	15	8	6
745-01-0048-CC-D-EE-FF	40	1 1/2	48,3	48,6	47,8 - 49,0	62,0	16,0	42,7	60	28	8	15	8	6
745-01-0050-CC-D-EE-FF	40			50,0	49,5 - 51,5	64,5	16,0	42,7	60	28	8	15	8	6
745-01-0054-CC-D-EE-FF	50			54,0	53,4 - 54,6	69,6	16,0	42,7	80	44	8	18	8	6
745-01-0057-CC-D-EE-FF	50			57,0	56,4 - 57,6	72,6	16,0	42,7	80	44	8	18	8	6
745-01-0060-CC-D-EE-FF	50	2	60,3	60,5	59,0 - 61,5	76,0	16,0	42,7	80	44	8	18	8	6
745-01-0063-CC-D-EE-FF	50			63,0	62,4 - 63,6	78,6	16,0	42,7	80	44	8	18	8	6
745-01-0066-CC-D-EE-FF	65			66,8	65,2 - 67,3	82,3	14,0	37,3	80	44	8	18	8	6
745-01-0069-CC-D-EE-FF	65			69,0	68,0 - 70,1	84,6	14,0	37,3	80	44	8	18	8	6
745-01-0073-CC-D-EE-FF	65	2 1/2		73,0	71,5 - 74,1	88,6	14,0	37,3	80	44	8	18	8	6
745-01-0076-CC-D-EE-FF	65		76,1	75,0	75,0 - 77,2	92,0	14,0	37,3	80	44	8	18	8	6
745-01-0079-CC-D-EE-FF	80			79,9	78,8 - 80,8	101,0	14,0	37,3	110	59	15	35	12	10
745-01-0084-CC-D-EE-FF	80			84,0	83,0 - 84,9	105,0	14,0	37,3	110	59	15	35	12	10
745-01-0089-CC-D-EE-FF	80	3	88,9	90,0	87,8 - 91,0	110,0	14,0	37,3	110	59	15	35	12	10
745-01-0101-CC-D-EE-FF	90	3 1/2	101,6	101,6	100,4 - 102,6	123,0	14,0	37,3	110	59	15	35	12	10
745-01-0104-CC-D-EE-FF	100			104,0	103,0 - 104,8	125,0	14,0	37,3	110	59	15	35	12	10
745-01-0106-CC-D-EE-FF	100			106,3	105,0 - 107,4	127,3	14,0	37,3	110	59	15	35	12	10
745-01-0108-CC-D-EE-FF	100			108,0	106,5 - 108,5	129,0	14,0	37,3	110	59	15	35	12	10
745-01-0114-CC-D-EE-FF	100	4	114,3	114,3	113,2 - 115,4	135,3	14,0	37,3	110	59	15	35	12	10
745-01-0127-CC-D-EE-FF	125			127,0	125,6 - 128,4	149,0	14,0	37,3	111	59	15	45	12	10
745-01-0129-CC-D-EE-FF	125			129,0	127,5 - 130,0	151,0	14,0	37,3	111	59	15	45	12	10
745-01-0133-CC-D-EE-FF	125			131,7	131,6 - 134,4	155,0	14,0	37,3	111	59	15	45	12	10
745-01-0139-CC-D-EE-FF	125		139,7	139,7	137,7 - 140,9	162,0	14,0	37,3	111	59	15	45	12	10
745-01-0141-CC-D-EE-FF	125	5		140,0	139,7 - 142,5	163,3	14,0	37,3	111	59	15	45	12	10
745-01-0154-CC-D-EE-FF	150			154,0	151,5 - 155,0	176,0	12,0	32,0	111	59	15	45	12	10
745-01-0159-CC-D-EE-FF	150			160,0	156,5 - 160,0	181,0	12,0	32,0	111	59	15	45	12	10
745-01-0165-CC-D-EE-FF	150			165,2	163,3 - 166,7	187,0	12,0	32,0	111	59	15	45	12	10
745-01-0168-CC-D-EE-FF	150	6	168,3	168,3	166,6 - 170,0	190,3	12,0	32,0	111	59	15	45	12	10
745-01-0180-CC-D-EE-FF	175			180,0	178,0 - 182,0	202,0	10,0	26,7	111	59	15	45	12	10
745-01-0200-CC-D-EE-FF	200			200,0	198,2 - 201,5	226,6	8,0	21,3	150	89	15	70	14	12
745-01-0204-CC-D-EE-FF	200			204,0	202,7 - 206,7	230,6	8,0	21,3	150	89	15	70	14	12
745-01-0216-CC-D-EE-FF	200			216,3	214,5 - 218,3	243,0	8,0	21,3	150	89	15	70	14	12
745-01-0219-CC-D-EE-FF	200	8	219,1	219,0	217,0 - 221,0	245,7	8,0	21,3	150	89	15	70	14	12
745-01-0254-CC-D-EE-FF	250			254,0	251,4 - 256,6	280,6	8,0	21,3	150	89	15	70	14	12
745-01-0267-CC-D-EE-FF	250			267,0	264,8 - 270,0	294,0	8,0	21,3	150	89	15	70	14	12
745-01-0273-CC-D-EE-FF	250	10	273,0	273,0	270,4 - 275,6	299,7	8,0	21,3	150	89	15	70	14	12
745-01-0304-CC-D-EE-FF	300			304,0	301,5 - 306,6	330,6	7,0	18,7	150	89	15	70	14	12
745-01-0318-CC-D-EE-FF	300			318,5	316,0 - 322,0	345,0	7,0	18,7	150	89	15	70	14	12
745-01-0323-CC-D-EE-FF	300	12	323,9	323,9	321,0 - 327,4	350,5	7,0	18,7	150	89	15	70	14	12
745-01-0355-CC-D-EE-FF	350	14	355,6	355,0	352,0 - 360,0	382,2	7,0	18,7	150	89	15	70	14	12
745-01-0406-CC-D-EE-FF	400	16	406,4	406,4	402,0 - 410,0	433,0	6,0	16,0	150	89	15	70	14	12

Note: the above tables are guides to the most common sizes. Couplings to suit specific diameters not listed may be manufactured to order. Please contact our sales department for further details. Figures are based on typical values for standard wall carbon steel pipe. For use on thin or soft pipe materials such as thin wall stainless, copper alloy or plastic (by way of example only) please check with us first.

REPICO® GP

GRIP PLASTIC COUPLING

Tensile/axial restraint, for plastic pipes, stainless steel 316L



1	Body	Stainless steel 316L
2	Slide plate	Stainless steel 316L
3	Bolt	Stainless steel A4, coated
4	Bar nut	Stainless steel 316

5	Bar washer	Stainless steel 316
6	Grip segment	Stainless steel 316
7	Sealing	EPDM or NBR
8	Support ring	Thermo Plastic Urethane (TPU)

Components may be substituted with equivalent or higher-class materials without prior notification.



Remarks:

- Follow the fitting/disassembly instructions
- Strip inserts are an optional accessory (see page 27)
- Working pressure for industrial and land-based applications: minimum burst pressure is 1,5 x PN

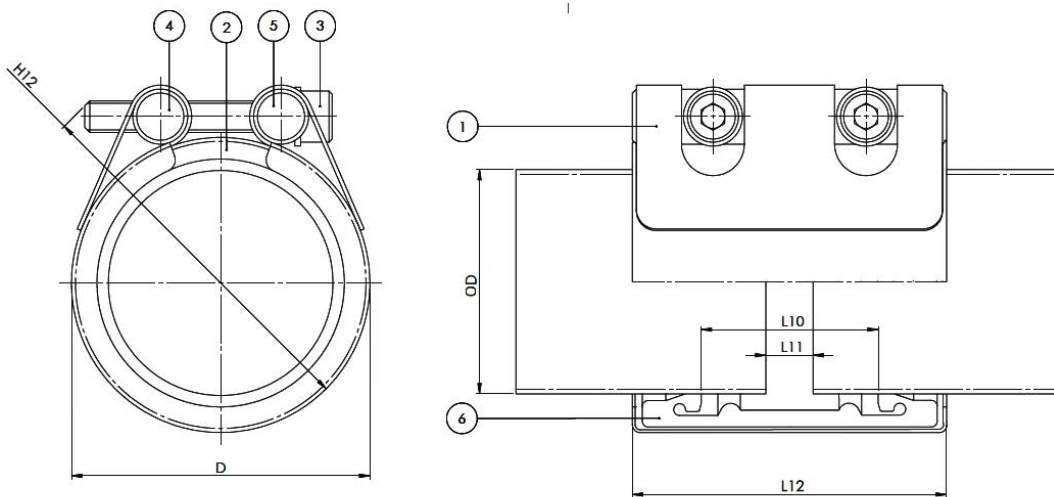
Article number	Pipe DN	Nom. Diam.	Pipe OD	Coupling range (mm)	D (mm)	Working pressure (bar)	Length		Gap	Torque	Thread	Allen head
			DIN/ISO				Industry SF1,5	L12 (mm)				
			mm					L11 (mm)	Nm	M	mm	
745-11-0050-CC-D-01	40	1 1/2	50,0	49,5 - 51,5	65,6	16,0	60	28	8	15	8	6
745-11-0063-CC-D-01	50	2	63,0	62,4 - 63,6	83,2	16,0	80	44	8	18	8	6
745-11-0075-CC-D-01	65	2 1/2	75,0	74,0 - 76,2	97,5	16,0	80	44	8	18	8	6
745-11-0090-CC-D-01	80	3	90,0	87,8 - 91,0	117,7	16,0	110	59	15	35	12	10
745-11-0110-CC-D-01	100	4	110,0	108,5-110,5	137,9	16,0	110	59	15	35	12	10
745-11-0160-CC-D-01	150	6	160,0	157,5 - 161,0	189,5	16,0	111	59	15	45	12	10
745-11-0200-CC-D-01	200	8	200,0	198,2 - 201,5	237,4	10,0	150	89	15	70	14	12

Note: the above tables are guides to the most common sizes. Couplings to suit specific diameters not listed may be manufactured to order. Please contact our sales department for further details. Figures are based on typical values for standard wall carbon steel pipe. For use on thin or soft pipe materials such as thin wall stainless, copper alloy or plastic (by way of example only) please check with us first.

REPICO® S

SLIP COUPLING

Non-tensile/flexible, for all pipes, stainless steel 316L



1	Body	Stainless steel 316L
2	Slide plate	Stainless steel 316L
3	Bolt	Stainless steel A4, coated

4	Bar nut	Stainless steel 316
5	Bar washer	Stainless steel 316
6	Sealing	EPDM, NBR, Silicone or FKM

Components may be substituted with equivalent or higher-class materials without prior notification.



On request other Slip type couplings are available:

- Repico® SL – long version
- Repico® SF – high pressure version
- Repico® SFL – high pressure, long version

Please contact our sales department for further details and assistance.

Remarks:

- Follow the fitting/disassembly instructions
- Strip inserts are an optional accessory (see page 27)
- Working pressure for marine application: minimum burst pressure is 4 x PN
- Working pressure for industrial and land-based applications: minimum burst pressure is 1,5 x PN

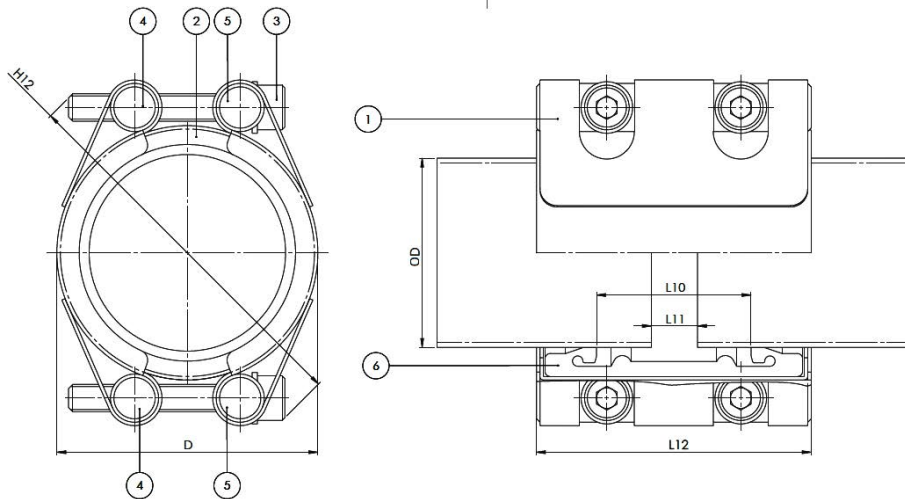
Article number	Pipe DN	Nom. Diam.	Pipe OD		Coupling range (mm)	D (mm)	Working pressure (bar)		Length		Gap	Torque	Thread	Allen head
			DIN/ISO	Other			Marine SF4	Industry SF1,5	L12 (mm)	L10 (mm)				
			mm	mm										
745-20-0020-CC-D-EE-FF	15			20,0	19,5 - 20,5	32,0	16,0	42,7	60	28	5	7	6	5
745-20-0021-CC-D-EE-FF	15	1/2	21,3	21,7	21,0 - 22,0	33,7	16,0	42,7	60	28	5	7	6	5
745-20-0025-CC-D-EE-FF	20			25,0	24,0 - 26,0	38,1	16,0	42,7	60	28	5	7	8	6
745-20-0027-CC-D-EE-FF	20	3/4	26,9	26,7	26,0 - 28,0	40,3	16,0	42,7	60	28	5	7	8	6
745-20-0028-CC-D-EE-FF	20			28,2	26,4 - 29,0	41,3	16,0	42,7	60	28	5	7	8	6
745-20-0030-CC-D-EE-FF	25			30,0	29,0 - 31,0	43,1	16,0	42,7	60	28	5	7	8	6
745-20-0032-CC-D-EE-FF	25			32,0	31,0 - 33,0	45,1	16,0	42,7	60	28	5	7	8	6
745-20-0034-CC-D-EE-FF	25	1	33,7	33,7	33,0 - 35,0	47,1	16,0	42,7	60	28	5	7	8	6
745-20-0038-CC-D-EE-FF	32			38,0	37,0 - 39,0	51,1	16,0	42,7	60	28	5	7	8	6
745-20-0040-CC-D-EE-FF	32			40,0	39,5 - 41,3	53,1	16,0	42,7	60	28	5	7	8	6
745-20-0042-CC-D-EE-FF	32	1 1/4	42,4	42,7	42,0 - 44,0	55,8	16,0	42,7	60	28	5	7	8	6
745-20-0044-CC-D-EE-FF	32			44,5	44,0 - 46,0	57,6	16,0	42,7	60	28	5	7	8	6
745-20-0048-CC-D-EE-FF	40	1 1/2	48,3	48,6	47,5 - 49,5	61,7	16,0	42,7	60	28	5	7	8	6
745-20-0050-CC-D-EE-FF	40			50,0	49,2 - 51,5	63,9	16,0	42,7	60	28	5	7	8	6
745-20-0054-CC-D-EE-FF	50			54,0	53,0 - 55,0	70,0	16,0	42,7	80	44	5	12	8	6
745-20-0057-CC-D-EE-FF	50			57,0	56,0 - 58,0	73,0	16,0	42,7	80	44	5	12	8	6
745-20-0060-CC-D-EE-FF	50	2	60,3	60,5	59,0 - 61,5	76,5	16,0	42,7	80	44	5	12	8	6
745-20-0063-CC-D-EE-FF	50			63,0	62,0 - 64,0	79,0	16,0	42,7	80	44	5	12	8	6
745-20-0066-CC-D-EE-FF	65			66,8	65,4 - 68,3	82,7	14,0	37,3	80	44	5	12	8	6
745-20-0069-CC-D-EE-FF	65			69,0	68,5 - 71,0	85,0	14,0	37,3	80	44	5	12	8	6
745-20-0073-CC-D-EE-FF	65	2 1/2		73,0	72,5 - 75,5	89,0	14,0	37,3	80	44	5	12	8	6
745-20-0076-CC-D-EE-FF	65		76,1	75,0	75,0 - 78,0	92,3	14,0	37,3	80	44	5	12	8	10
745-20-0079-CC-D-EE-FF	80			79,9	78,8 - 82,0	99,9	14,0	37,3	110	59	5	15	12	10
745-20-0084-CC-D-EE-FF	80			84,0	82,5 - 85,5	104,0	14,0	37,3	110	59	5	15	12	10
745-20-0089-CC-D-EE-FF	80	3	88,9	90,0	88,0 - 91,0	109,1	14,0	37,3	110	59	5	15	12	10
745-20-0101-CC-D-EE-FF	90		101,6	101,6	100,0 - 103,0	121,6	14,0	37,3	110	59	5	15	12	10
745-20-0104-CC-D-EE-FF	100			104,0	102,0 - 105,0	124,0	14,0	37,3	110	59	5	15	12	10
745-20-0106-CC-D-EE-FF	100			106,3	105,0 - 107,5	126,3	14,0	37,3	110	59	5	15	12	10
745-20-0108-CC-D-EE-FF	100			108,0	106,0 - 109,0	128,0	14,0	37,3	110	59	5	15	12	10
745-20-0114-CC-D-EE-FF	100	4	114,3	114,3	113,0 - 116,0	134,3	14,0	37,3	110	59	5	15	12	10
745-20-0127-CC-D-EE-FF	125			127,0	125,0 - 129,0	148,5	14,0	37,3	111	59	5	25	12	10
745-20-0129-CC-D-EE-FF	125			129,0	127,5 - 130,0	150,5	14,0	37,3	111	59	5	25	12	10
745-20-0133-CC-D-EE-FF	125			131,7	131,0 - 135,0	154,5	14,0	37,3	111	59	5	25	12	10
745-20-0139-CC-D-EE-FF	125		139,7	139,7	138,0 - 142,0	161,3	14,0	37,3	111	59	5	25	12	10
745-20-0141-CC-D-EE-FF	125	5		140,0	139,5 - 143,5	162,8	14,0	37,3	111	59	5	25	12	10
745-20-0154-CC-D-EE-FF	150			154,0	151,5 - 155,5	175,5	12,0	32,0	111	59	5	25	12	10
745-20-0159-CC-D-EE-FF	150			160,0	156,0 - 160,0	180,5	12,0	32,0	111	59	5	25	12	10
745-20-0165-CC-D-EE-FF	150			165,2	164,0 - 167,0	186,7	12,0	32,0	111	59	5	25	12	10
745-20-0168-CC-D-EE-FF	150	6	168,3	168,3	166,0 - 170,0	189,8	12,0	32,0	111	59	5	25	12	10
745-20-0180-CC-D-EE-FF	175			180,0	178,0 - 182,0	201,5	10,0	26,7	111	59	5	30	12	10
745-20-0200-CC-D-EE-FF	200			200,0	198,0 - 203,0	225,5	8,0	21,3	150	89	10	35	14	12
745-20-0204-CC-D-EE-FF	200			204,0	202,0 - 206,0	229,5	8,0	21,3	150	89	10	35	14	12
745-20-0216-CC-D-EE-FF	200			216,3	214,0 - 218,5	241,8	8,0	21,3	150	89	10	35	14	12
745-20-0219-CC-D-EE-FF	200	8	219,1	219,0	216,5 - 221,5	244,6	8,0	21,3	150	89	10	35	14	12
745-20-0254-CC-D-EE-FF	250			254,0	251,0 - 257,0	279,5	8,0	21,3	150	89	10	35	14	12
745-20-0267-CC-D-EE-FF	250			267,0	262,0 - 269,0	292,9	8,0	21,3	150	89	10	35	14	12
745-20-0273-CC-D-EE-FF	250	10	273,0	273,0	270,0 - 276,0	298,6	8,0	21,3	150	89	10	35	14	12
745-20-0304-CC-D-EE-FF	300			304,0	301,5 - 308,0	329,5	7,0	18,7	150	89	10	35	14	12
745-20-0318-CC-D-EE-FF	300			318,5	316,0 - 322,5	344,0	7,0	18,7	150	89	10	35	14	12
745-20-0323-CC-D-EE-FF	300	12	323,9	323,9	322,0 - 328,0	349,4	7,0	18,7	150	89	10	35	14	12
745-20-0355-CC-D-EE-FF	350	14	355,6	355,0	352,0 - 360,0	381,1	7,0	18,7	150	89	10	45	14	12
745-20-0400-CC-D-EE-FF	400	16	400,0	400,0	396,0 - 404,0	425,9	6,0	16,0	150	89	10	45	14	12
745-20-0406-CC-D-EE-FF	400		406,4	406,4	402,0 - 410,0	431,9	6,0	16,0	150	89	10	45	14	12
745-20-0457-CC-D-EE-FF	450	18	457,2	457,2	453,0 - 460,0	482,7	6,0	16,0	150	89	10	55	14	12
745-20-0500-CC-D-EE-FF	500	20	500,0	500,0	496,0 - 504,0	525,5	5,0	13,3	150	89	10	55	14	12
745-20-0508-CC-D-EE-FF	500		508,0	508,0	504,0 - 512,0	533,5	5,0	13,3	150	89	10	55	14	12
745-20-0558-CC-D-EE-FF	550	22	558,8	559,0	555,0 - 563,0	584,3	4,6	12,2	150	89	15	55	14	12
745-20-0609-CC-D-EE-FF	600	24	609,6	610,0	605,0 - 614,0	635,1	4,2	11,2	150	89	15	55	14	12
745-20-0616-CC-D-EE-FF	600		616,0	617,0	612,0 - 621,0	642,1	4,2	11,2	150	89	15	55	14	12

Note: the above tables are guides to the most common sizes. Couplings to suit specific diameters not listed may be manufactured to order. Please contact our sales department for further details. Figures are based on typical values for standard wall carbon steel pipe. For use on thin or soft pipe materials such as thin wall stainless, copper alloy or plastic (by way of example only) please check with us first.

REPICO® SD

SLIP COUPLING TWO LOCKS

Non-tensile / Flexible, for all pipes, stainless steel 316L



1	Body	Stainless steel 316L
2	Slide plate	Stainless steel 316L
3	Bolt	Stainless steel A4, coated

4	Bar nut	Stainless steel 316
5	Bar washer	Stainless steel 316
6	Sealing	EPDM, NBR, Silicone or FKM

Components may be substituted with equivalent or higher-class materials without prior notification.



On request other Slip type couplings are available:

- Repico® SDL - long version
- Repico® SDF - high pressure version
- Repico® ST - slip coupling three locks
- Repico® SQ - slip coupling four locks

Please contact our sales department for further details and assistance.

Remarks:

- Follow the fitting/disassembly instructions
- Strip inserts are an optional accessory (see page 27)
- Working pressure for industrial and land-based applications: minimum burst pressure is 1,5 x PN

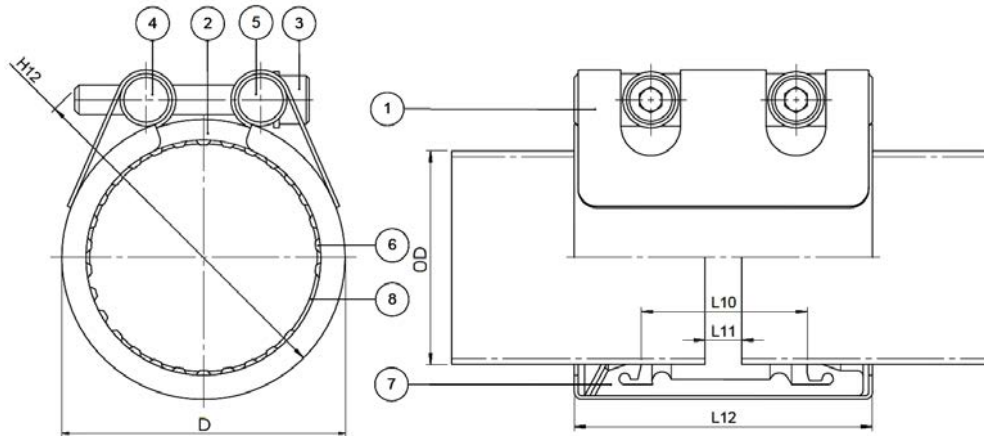
Article number	Pipe DN	Nom. Diam.	Pipe OD		Coupling range (mm)	D (mm)	Working pressure (bar)	Length		Gap	Torque	Thread	Allen head
			DIN/ISO	Other				L12 (mm)	L10 (mm)				
			mm	mm			Industry SF1,5						
745-28-0054-CC-D-EE	50		54,0	54,0	53,0 - 56,0	70,0	42,7	80	44	5	12	8	6
745-28-0057-CC-D-EE	50		57,0	57,0	56,0 - 59,0	73,0	42,7	80	44	5	12	8	6
745-28-0060-CC-D-EE	50	2	60,5	60,5	59,0 - 62,0	76,5	42,7	80	44	5	12	8	6
745-28-0063-CC-D-EE	50		63,0	63,0	62,0 - 65,0	79,0	42,7	80	44	5	12	8	6
745-28-0066-CC-D-EE	65		66,7	66,8	65,4 - 69,0	82,7	37,3	80	44	5	12	8	6
745-28-0069-CC-D-EE	65		69,0	69,0	68,5 - 72,0	85,0	37,3	80	44	5	12	8	6
745-28-0073-CC-D-EE	65		73,0	73,0	72,5 - 76,5	89,0	37,3	80	44	5	12	8	6
745-28-0076-CC-D-EE	65	2 1/2	76,3	75,0	75,0 - 79,0	92,3	37,3	80	44	5	12	8	6
745-28-0079-CC-D-EE	80		79,9	79,9	78,8 - 83,0	99,9	37,3	110	59	5	15	8	6
745-28-0084-CC-D-EE	80		84,0	84,0	82,5 - 86,0	104,0	37,3	110	59	5	15	8	6
745-28-0089-CC-D-EE	80	3	89,1	90,0	88,0 - 92,0	109,1	37,3	110	59	5	15	12	10
745-28-0101-CC-D-EE	90		101,6	101,6	100,0 - 104,0	121,6	37,3	110	59	5	15	12	10
745-28-0104-CC-D-EE	100		104,0	104,0	102,0 - 106,0	124,0	37,3	110	59	5	15	12	10
745-28-0106-CC-D-EE	100		106,3	106,3	105,0 - 108,5	126,3	37,3	110	59	5	15	12	10
745-28-0108-CC-D-EE	100		108,0	108,0	106,0 - 110,0	128,0	37,3	110	59	5	15	12	10
745-28-0114-CC-D-EE	100	4	114,3	114,3	113,0 - 118,0	134,3	37,3	110	59	5	15	12	10
745-28-0127-CC-D-EE	125		127,0	127,0	125,0 - 129,5	148,5	37,3	111	59	5	25	12	10
745-28-0129-CC-D-EE	125		129,0	129,0	127,5 - 131,0	150,5	37,3	111	59	5	25	12	10
745-28-0133-CC-D-EE	125		133,0	131,7	131,0 - 135,5	154,5	37,3	111	59	5	25	12	10
745-28-0139-CC-D-EE	125	5	139,8	139,7	138,0 - 142,5	161,3	37,3	111	59	5	25	12	10
745-28-0141-CC-D-EE	125		141,3	140,0	139,5 - 144,0	162,8	37,3	111	59	5	25	12	10
745-28-0154-CC-D-EE	150		154,0	154,0	151,5 - 156,0	175,5	32,0	111	59	5	25	12	10
745-28-0159-CC-D-EE	150		159,0	160,0	156,0 - 161,0	180,5	32,0	111	59	5	25	12	10
745-28-0165-CC-D-EE	150	6	165,2	165,2	164,0 - 168,5	186,7	32,0	111	59	5	25	12	10
745-28-0168-CC-D-EE	150		168,3	168,3	166,0 - 170,5	189,8	32,0	111	59	5	25	12	10
745-28-0180-CC-D-EE	175		180,0	180,0	178,0 - 183,0	201,5	26,7	111	59	5	30	12	10
745-28-0200-CC-D-EE	200		200,0	200,0	198,0 - 203,5	225,5	21,3	150	89	10	45	14	12
745-28-0204-CC-D-EE	200		204,0	204,0	202,0 - 206,5	229,5	21,3	150	89	10	45	14	12
745-28-0216-CC-D-EE	200	8	216,3	216,3	214,0 - 219,0	241,8	21,3	150	89	10	45	14	12
745-28-0219-CC-D-EE	200		219,1	219,0	216,5 - 222,0	244,6	21,3	150	89	10	45	14	12
745-28-0254-CC-D-EE	250		254,0	254,0	251,0 - 257,0	279,5	21,3	150	89	10	45	14	12
745-28-0267-CC-D-EE	250	10	267,4	267,0	262,0 - 270,0	292,9	21,3	150	89	10	45	14	12
745-28-0273-CC-D-EE	250		273,1	273,0	270,0 - 277,0	298,6	21,3	150	89	10	45	14	12
745-28-0304-CC-D-EE	300		304,0	304,0	301,5 - 309,0	329,5	18,7	150	89	10	75	14	12
745-28-0318-CC-D-EE	300	12	318,5	318,5	316,0 - 323,0	344,0	18,7	150	89	10	75	14	12
745-28-0323-CC-D-EE	300		323,9	323,9	322,0 - 329,0	349,4	18,7	150	89	10	75	14	12
745-28-0355-CC-D-EE	350	14	355,6	355,0	352,0 - 361,0	381,1	18,7	150	89	10	75	14	12
745-28-0406-CC-D-EE	400	16	406,4	406,4	402,0 - 411,0	431,9	16,0	150	89	10	75	14	12
745-28-0457-CC-D-EE	450	18	457,2	457,2	453,0 - 462,0	482,7	16,0	150	89	10	90	14	12
745-28-0508-CC-D-EE	500	20	508,0	508,0	504,0 - 513,0	533,5	13,3	150	89	10	90	14	12
745-28-0558-CC-D-EE	550	22	558,8	559,0	554,0 - 564,0	584,3	12,3	150	89	10	90	14	12
745-28-0609-CC-D-EE	600	24	609,6	610,0	605,0 - 615,0	635,1	11,2	150	89	10	90	14	12
745-28-0660-CC-D-EE	650	26	660,4	660,0	654,0 - 666,0	685,9	10,7	150	89	15	90	14	12
745-28-0711-CC-D-EE	700	28	711,2	711,0	705,0 - 717,0	736,7	9,9	150	89	15	90	14	12
745-28-0762-CC-D-EE	750	30	762,0	762,0	756,0 - 768,0	787,5	9,6	150	89	15	90	14	12
745-28-0812-CC-D-EE	800	32	812,8	813,0	806,0 - 818,0	838,3	9,1	150	89	15	90	14	12
745-28-0863-CC-D-EE	850	34	863,6	864,0	857,0 - 869,0	889,1	8,5	150	89	15	90	14	12
745-28-0914-CC-D-EE	900	36	914,4	914,0	908,0 - 920,0	939,9	8,0	150	89	15	90	14	12
745-28-1016-CC-D-EE	1000	40	1016,0	1016,0	1010,0 - 1022,0	1041,5	7,2	150	89	15	90	14	12

Note: the above tables are guides to the most common sizes. Couplings to suit specific diameters not listed may be manufactured to order. Please contact our sales department for further details. Figures are based on typical values for standard wall carbon steel pipe. For use on thin or soft pipe materials such as thin wall stainless, copper alloy or plastic (by way of example only) please check with us first.

REPICO® SG

SLIP GRIP COUPLING

Tensile/axial restraint – Non-tensile, for all pipes, stainless steel 316L



1	Body	Stainless steel 316L
2	Slide plate	Stainless steel 316L
3	Bolt	Stainless steel A4, coated
4	Bar nut	Stainless steel 316

5	Bar washer	Stainless steel 316
6	Grip segment	Stainless steel 301H
7	Sealing	EPDM, NBR or Silicone
8	Support ring	Stainless steel 301H

Components may be substituted with equivalent or higher-class materials without prior notification.



Remarks:

- Follow the fitting/disassembly instructions
- Strip inserts are an optional accessory (see page 27)
- Working pressure for marine application: minimum burst pressure is 4 x PN
- Working pressure for industrial and land-based applications: minimum burst pressure is 1,5 x PN

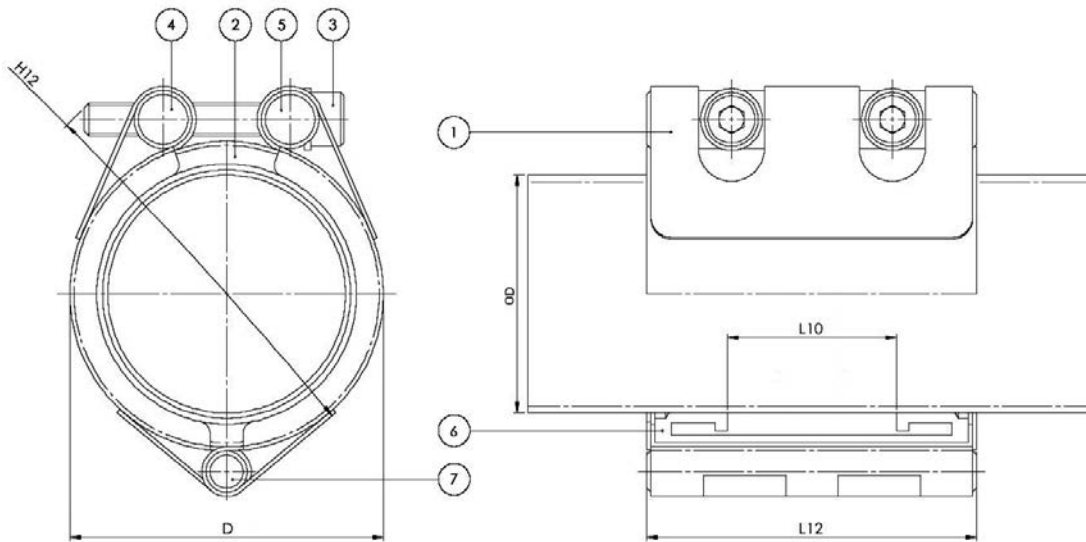
Article number	Pipe DN	Nom. Diam.	Pipe OD		Coupling range (mm)	D (mm)	Working pressure (bar)		Length		Gap	Torque	Thread	Allen head				
			DIN/ISO	Other			Marine SF4	Industry SF1,5	L12 (mm)	L10 (mm)					L11 (mm)	Nm	M	mm
			mm	mm														
745-52-0020-CC-D-EE-FF	15		20,0	20,0	19,5 - 20,5	33,5	16,0	42,7	60	28	5	7	6	5				
745-52-0021-CC-D-EE-FF	15	1/2	21,7	21,7	21,2 - 22,2	35,2	16,0	42,7	60	28	5	7	6	5				
745-52-0025-CC-D-EE-FF	20		25,0	25,0	24,5 - 25,5	38,5	16,0	42,7	60	28	5	8	8	6				
745-52-0027-CC-D-EE-FF	20	3/4	27,2	26,7	26,7 - 27,7	40,7	16,0	42,7	60	28	5	8	8	6				
745-52-0028-CC-D-EE-FF	20		28,2	28,2	27,5 - 29,0	41,6	16,0	42,7	60	28	5	8	8	6				
745-52-0030-CC-D-EE-FF	25		30,0	30,0	29,5 - 30,5	43,5	16,0	42,7	60	28	5	8	8	6				
745-52-0032-CC-D-EE-FF	25		32,0	32,0	31,5 - 32,5	45,5	16,0	42,7	60	28	5	8	8	6				
745-52-0034-CC-D-EE-FF	25	1	34,0	33,7	33,0 - 34,6	47,5	16,0	42,7	60	28	5	8	8	6				
745-52-0038-CC-D-EE-FF	32		38,0	38,0	37,5 - 38,5	51,5	16,0	42,7	60	28	5	10	8	6				
745-52-0040-CC-D-EE-FF	32		40,0	40,0	39,5 - 41,5	53,5	16,0	42,7	60	28	5	10	8	6				
745-52-0042-CC-D-EE-FF	32	1 1/4	42,7	42,7	41,9 - 43,0	56,0	16,0	42,7	60	28	5	10	8	6				
745-52-0044-CC-D-EE-FF	32		44,5	44,5	44,0 - 45,0	58,0	16,0	42,7	60	28	5	10	8	6				
745-52-0048-CC-D-EE-FF	40	1 1/2	48,6	48,6	47,8 - 49,0	62,0	16,0	42,7	60	28	5	10	8	6				
745-52-0050-CC-D-EE-FF	40		50,8	50,0	49,5 - 51,5	64,5	16,0	42,7	60	28	5	10	8	6				
745-52-0054-CC-D-EE-FF	50		54,0	54,0	53,4 - 54,6	69,6	16,0	42,7	80	44	5	15	8	6				
745-52-0057-CC-D-EE-FF	50		57,0	57,0	56,4 - 57,6	72,6	16,0	42,7	80	44	5	15	8	6				
745-52-0060-CC-D-EE-FF	50	2	60,5	60,5	59,0 - 61,5	76,0	16,0	42,7	80	44	5	15	8	6				
745-52-0063-CC-D-EE-FF	50		63,0	63,0	62,4 - 63,6	78,6	16,0	42,7	80	44	5	15	8	6				
745-52-0066-CC-D-EE-FF	65		66,7	66,8	65,2 - 67,3	82,3	14,0	37,3	80	44	5	15	8	6				
745-52-0069-CC-D-EE-FF	65		69,0	69,0	68,0 - 70,1	84,6	14,0	37,3	80	44	5	15	8	6				
745-52-0073-CC-D-EE-FF	65	2,5	73,0	73,0	71,5 - 74,1	88,6	14,0	37,3	80	44	5	15	8	6				
745-52-0076-CC-D-EE-FF	65		76,3	75,0	75,0 - 77,2	92,0	14,0	37,3	80	44	5	15	8	6				
745-52-0079-CC-D-EE-FF	80		79,9	79,9	78,8 - 80,8	101,0	14,0	37,3	110	59	5	20	12	10				
745-52-0084-CC-D-EE-FF	80		84,0	84,0	83,0 - 84,9	105,0	14,0	37,3	110	59	5	20	12	10				
745-52-0089-CC-D-EE-FF	80	3	89,1	90,0	87,8 - 91,0	110,0	14,0	37,3	110	59	5	20	12	10				
745-52-0101-CC-D-EE-FF	90	3 1/2	101,6	101,6	100,4 - 102,6	123,0	14,0	37,3	110	59	5	20	12	10				
745-52-0104-CC-D-EE-FF	100		104,0	104,0	103,0 - 104,8	125,0	14,0	37,3	110	59	5	20	12	10				
745-52-0106-CC-D-EE-FF	100		106,3	106,3	105,0 - 107,4	127,3	14,0	37,3	110	59	5	20	12	10				
745-52-0108-CC-D-EE-FF	100		108,0	108,0	106,5 - 108,5	129,0	14,0	37,3	110	59	5	20	12	10				
745-52-0114-CC-D-EE-FF	100	4	114,3	114,3	113,2 - 115,4	135,3	14,0	37,3	110	59	5	20	12	10				
745-52-0127-CC-D-EE-FF	125		127,0	127,0	125,6 - 128,4	149,0	14,0	37,3	111	59	5	30	12	10				
745-52-0129-CC-D-EE-FF	125		129,0	129,0	127,5 - 130,0	151,0	14,0	37,3	111	59	5	30	12	10				
745-52-0133-CC-D-EE-FF	125		133,0	131,7	131,6 - 134,4	155,0	14,0	37,3	111	59	5	30	12	10				
745-52-0139-CC-D-EE-FF	125		139,8	139,7	137,7 - 140,9	162,0	14,0	37,3	111	59	5	30	12	10				
745-52-0141-CC-D-EE-FF	125	5	141,3	140,0	139,7 - 142,5	163,3	14,0	37,3	111	59	5	30	12	10				
745-52-0154-CC-D-EE-FF	150		154,0	154,0	151,5 - 155,0	176,0	12,0	32,0	111	59	5	30	12	10				
745-52-0159-CC-D-EE-FF	150		159,0	160,0	156,5 - 160,0	181,0	12,0	32,0	111	59	5	30	12	10				
745-52-0165-CC-D-EE-FF	150		165,2	165,2	163,3 - 166,7	187,0	12,0	32,0	111	59	5	30	12	10				
745-52-0168-CC-D-EE-FF	150	6	168,3	168,3	166,6 - 170,0	190,3	12,0	32,0	111	59	5	30	12	10				
745-52-0180-CC-D-EE-FF	175		180,0	180,0	178,0 - 182,0	202,0	10,0	26,7	111	59	5	30	12	10				
745-52-0200-CC-D-EE-FF	200		200,0	200,0	198,2 - 201,5	226,6	8,0	21,3	150	89	10	60	14	12				
745-52-0204-CC-D-EE-FF	200		204,0	204,0	202,7 - 206,7	230,6	8,0	21,3	150	89	10	60	14	12				
745-52-0216-CC-D-EE-FF	200		216,3	216,3	214,5 - 218,3	243,0	8,0	21,3	150	89	10	60	14	12				
745-52-0219-CC-D-EE-FF	200	8	219,1	219,0	217,0 - 221,0	245,7	8,0	21,3	150	89	10	60	14	12				
745-52-0254-CC-D-EE-FF	250		254,0	254,0	251,4 - 256,6	280,6	8,0	21,3	150	89	10	60	14	12				
745-52-0267-CC-D-EE-FF	250		267,4	267,0	264,8 - 270,0	294,0	8,0	21,3	150	89	10	60	14	12				
745-52-0273-CC-D-EE-FF	250	10	273,1	273,0	270,4 - 275,6	299,7	8,0	21,3	150	89	10	60	14	12				
745-52-0304-CC-D-EE-FF	300		304,0	304,0	301,5 - 306,6	330,6	7,0	18,7	150	89	10	60	14	12				
745-52-0318-CC-D-EE-FF	300		318,5	318,5	316,0 - 322,0	345,0	7,0	18,7	150	89	10	60	14	12				
745-52-0321-CC-D-EE-FF	300	12	323,9	323,9	321,0 - 327,4	350,5	7,0	18,7	150	89	10	60	14	12				
745-52-0355-CC-D-EE-FF	350	14	355,6	355,0	352,0 - 360,0	382,2	7,0	18,0	150	89	15	70	14	12				
745-52-0406-CC-D-EE-FF	400	15	406,4	406,4	402,0 - 410,0	432,0	6,0	16,0	150	89	15	70	14	12				

Note: the above tables are guides to the most common sizes. Couplings to suit specific diameters not listed may be manufactured to order. Please contact our sales department for further details. Figures are based on typical values for standard wall carbon steel pipe. For use on thin or soft pipe materials such as thin wall stainless, copper alloy or plastic (by way of example only) please check with us first.

REPICO® RH

HINGE REPAIR COUPLING

For all pipes, stainless steel 316L



1	Body	Stainless steel 316L
2	Slide plate	Stainless steel 316L
3	Bolt	Stainless steel A4, coated
4	Bar nut	Stainless steel 316

5	Bar washer	Stainless steel 316
6	Sealing	EPDM, NBR, Silicone or FKM
7	Bar rod	Stainless steel 316

Components may be substituted with equivalent or higher-class materials without prior notification.



On request other RH type repair couplings are available:

- Repico® RHL – long version

Please contact our sales department for further details and assistance.

Remarks:

- Follow the fitting/disassembly instructions
- Working pressure for industrial and land-based applications: minimum burst pressure is 1,5 x PN

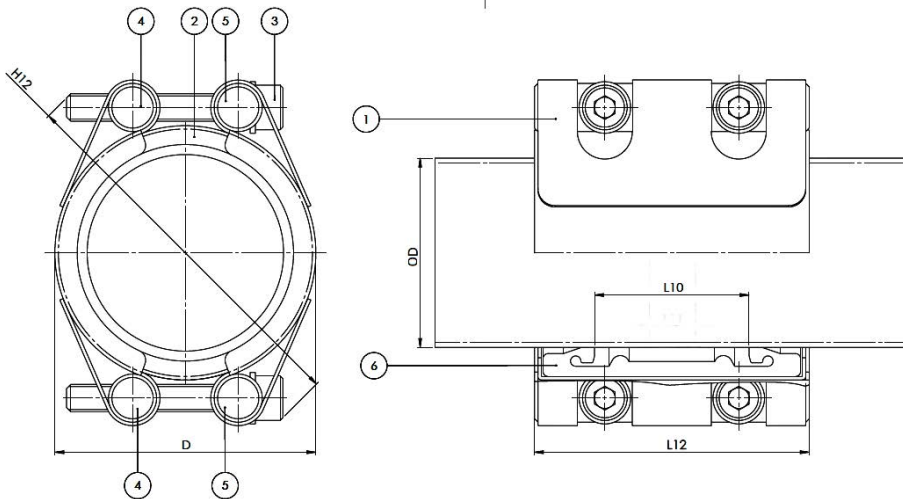
Article number	Pipe DN	Nom. Diam.	Pipe OD		Coupling range (mm)	D (mm)	Working pressure (bar)	Length		Torque Nm	Thread M	Allen head mm
			DIN/ISO	Other				L12 (mm)	L10 (mm)			
			mm	mm			Industry SF1,5					
747-81-0020-CC-D-EE	15		20,0	20,0	19,5 - 20,5	33,1	42,7	60	28	5	6	5
747-81-0021-CC-D-EE	15	1/2	21,7	21,7	21,0 - 22,0	34,8	42,7	60	28	5	6	5
747-81-0025-CC-D-EE	20		25,0	25,0	24,0 - 26,0	38,1	42,7	60	28	7	6	5
747-81-0027-CC-D-EE	20	3/4	27,2	26,7	26,0 - 28,0	40,3	42,7	60	28	7	6	5
747-81-0028-CC-D-EE	20		28,2	28,2	26,4 - 29,0	41,3	42,7	60	28	7	6	5
747-81-0030-CC-D-EE	25		30,0	30,0	29,0 - 31,0	43,1	42,7	60	28	7	6	5
747-81-0032-CC-D-EE	25		32,0	32,0	31,0 - 33,0	45,1	42,7	60	28	7	6	5
747-81-0034-CC-D-EE	25	1	34,0	33,7	33,0 - 35,0	47,1	42,7	60	28	7	6	5
747-81-0038-CC-D-EE	32		38,0	38,0	37,0 - 39,0	51,1	42,7	60	28	7	8	6
747-81-0040-CC-D-EE	32		40,0	40,0	39,5 - 41,3	53,1	42,7	60	28	7	8	6
747-81-0042-CC-D-EE	32	1 1/4	42,7	42,7	42,0 - 44,0	55,8	42,7	60	28	7	8	6
747-81-0044-CC-D-EE	32		44,5	44,5	44,0 - 46,0	57,6	42,7	60	28	7	8	6
747-81-0048-CC-D-EE	40	1 1/2	48,6	48,6	47,5 - 49,5	61,7	42,7	60	28	7	8	6
747-81-0050-CC-D-EE	40		50,8	50,0	49,2 - 51,5	63,9	42,7	60	28	7	8	6
747-81-0054-CC-D-EE	50		54,0	54,0	53,0 - 55,0	70,0	42,7	80	44	12	8	6
747-81-0057-CC-D-EE	50		57,0	57,0	56,0 - 58,0	73,0	42,7	80	44	12	8	6
747-81-0060-CC-D-EE	50	2	60,5	60,5	59,0 - 61,5	76,5	42,7	80	44	12	8	6
747-81-0063-CC-D-EE	50		63,0	63,0	62,0 - 64,0	79,0	42,7	80	44	12	8	6
747-81-0066-CC-D-EE	65		66,7	66,8	65,4 - 68,3	82,7	37,3	80	44	12	8	6
747-81-0069-CC-D-EE	65		69,0	69,0	68,5 - 71,0	85,0	37,3	80	44	12	8	6
747-81-0073-CC-D-EE	65		73,0	73,0	72,5 - 75,5	89,0	37,3	80	44	12	8	6
747-81-0076-CC-D-EE	65	2 1/2	76,3	75,0	75,0 - 78,0	92,3	37,3	80	44	12	8	6
747-81-0079-CC-D-EE	80		79,9	79,9	78,8 - 82,0	99,9	37,3	110	59	30	12	10
747-81-0084-CC-D-EE	80		84,0	84,0	82,5 - 85,5	104,0	37,3	110	59	30	12	10
747-81-0089-CC-D-EE	80	3	89,1	90,0	88,0 - 91,0	109,1	37,3	110	59	30	12	10
747-81-0101-CC-D-EE	90		101,6	101,6	100,0 - 103,0	121,6	37,3	110	59	30	12	10
747-81-0104-CC-D-EE	100		104,0	104,0	102,0 - 105,0	124,0	37,3	110	59	40	12	10
747-81-0106-CC-D-EE	100		106,3	106,3	105,0 - 107,5	126,3	37,3	110	59	40	12	10
747-81-0108-CC-D-EE	100		108,0	108,0	106,0 - 109,0	128,0	37,3	110	59	40	12	10
747-81-0114-CC-D-EE	100	4	114,3	114,3	113,0 - 116,0	134,3	37,3	110	59	40	12	10
747-81-0127-CC-D-EE	125		127,0	127,0	125,0 - 129,0	148,5	37,3	111	59	40	12	10
747-81-0129-CC-D-EE	125		129,0	129,0	127,5 - 130,0	150,5	37,3	111	59	40	12	10
747-81-0133-CC-D-EE	125		133,0	131,7	131,0 - 135,0	154,5	37,3	111	59	40	12	10
747-81-0139-CC-D-EE	125	5	139,8	139,7	138,0 - 142,0	161,3	37,3	111	59	40	12	10
747-81-0141-CC-D-EE	125		141,3	140,0	139,5 - 143,5	162,8	37,3	111	59	40	12	10
747-81-0154-CC-D-EE	150		154,0	154,0	151,5 - 155,5	175,5	32,0	111	59	40	12	10
747-81-0159-CC-D-EE	150		159,0	160,0	156,0 - 160,0	180,5	32,0	111	59	40	12	10
747-81-0165-CC-D-EE	150	6	165,2	165,2	164,0 - 167,0	186,7	32,0	111	59	40	12	10
747-81-0168-CC-D-EE	150		168,3	168,3	166,0 - 170,0	189,8	32,0	111	59	40	12	10
747-81-0180-CC-D-EE	175		180,0	180,0	178,0 - 182,0	201,5	26,7	111	59	45	12	10
747-81-0200-CC-D-EE	200		200,0	200,0	198,0 - 203,0	225,5	21,3	150	89	60	14	12
747-81-0204-CC-D-EE	200		204,0	204,0	202,0 - 206,0	229,5	21,3	150	89	60	14	12
747-81-0216-CC-D-EE	200	8	216,3	216,3	214,0 - 218,5	241,8	21,3	150	89	60	14	12
747-81-0219-CC-D-EE	200		219,1	219,0	216,5 - 221,5	244,6	21,3	150	89	60	14	12
747-81-0254-CC-D-EE	250		254,0	254,0	251,0 - 257,0	279,5	21,3	150	89	60	14	12
747-81-0267-CC-D-EE	250	10	267,4	267,0	262,0 - 269,0	292,9	21,3	150	89	60	14	12
747-81-0273-CC-D-EE	250		273,1	273,0	270,0 - 276,0	298,6	21,3	150	89	60	14	12
747-81-0304-CC-D-EE	300		304,0	304,0	301,5 - 308,0	329,5	18,7	150	89	60	14	12
747-81-0318-CC-D-EE	300	12	318,5	318,5	316,0 - 322,5	344,0	18,7	150	89	60	14	12
747-81-0323-CC-D-EE	300		323,9	323,9	322,0 - 328,0	349,4	18,7	150	89	60	14	12
747-81-0355-CC-D-EE	350	14	355,6	355,0	352,0 - 360,0	381,1	18,7	150	89	75	14	12
747-81-0406-CC-D-EE	400	16	406,4	406,4	402,0 - 410,0	431,9	16,0	150	89	75	14	12
747-81-0457-CC-D-EE	450	18	457,2	457,2	453,0 - 460,0	482,7	16,0	150	89	90	14	12
747-81-0508-CC-D-EE	500	20	508,0	508,0	504,0 - 512,0	533,5	13,3	150	89	90	14	12
747-81-0558-CC-D-EE	550	22	558,8	559,0	555,0 - 563,0	584,3	12,3	150	89	90	14	12
747-81-0609-CC-D-EE	600	24	609,6	610,0	605,0 - 614,0	635,1	11,2	150	89	90	14	12

Note: the above tables are guides to the most common sizes. Couplings to suit specific diameters not listed may be manufactured to order. Please contact our sales department for further details. Figures are based on typical values for standard wall carbon steel pipe. For use on thin or soft pipe materials such as thin wall stainless, copper alloy or plastic (by way of example only) please check with us first.

REPICO® RSD

REPAIR COUPLING TWO LOCKS

For all pipes, stainless steel 316L



1	Body	Stainless steel 316L
2	Slide plate	Stainless steel 316L
3	Bolt	Stainless steel A4, coated

4	Bar nut	Stainless steel 316
5	Bar washer	Stainless steel 316
6	Sealing	EPDM, NBR, Silicone or FKM

Components may be substituted with equivalent or higher-class materials without prior notification.



On request other RSD type repair couplings are available:

- Repico® RSDL – long version
- Repico® RSDF – high pressure version
- Repico® RSDFL – high pressure, long version

Please contact our sales department for further details and assistance.

Remarks:

- Follow the fitting/disassembly instructions
- Working pressure for industrial and land-based applications: minimum burst pressure is 1,5 x PN

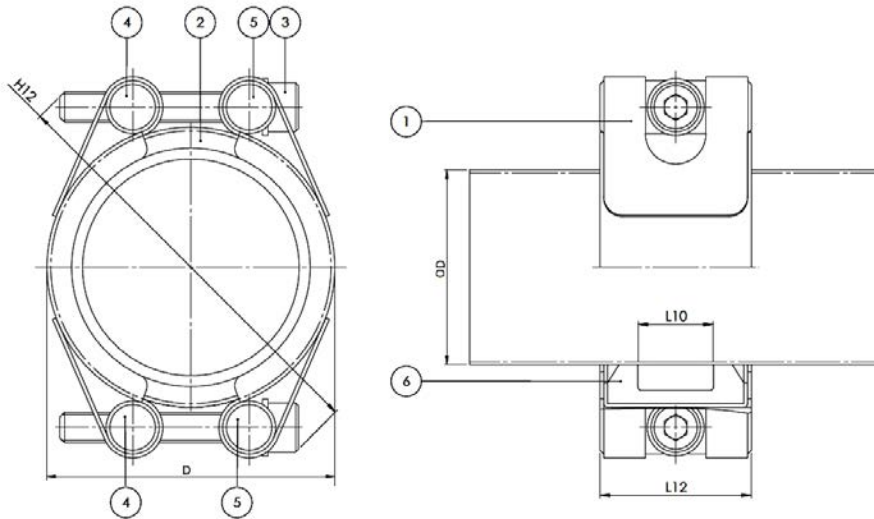
Article number	Pipe DN	Nom. Diam.	Pipe OD		Coupling range (mm)	D (mm)	Working pressure (bar)	Length		Torque Nm	Thread M	Allen head mm
			DIN/ISO	Other				L12 (mm)	L10 (mm)			
			mm	mm			Industry SF1,5					
747-01-0015-CC-D-EE	10		15,8	15,8	15,3 - 17,0	28,9	42,7	60	28	7	6	5
747-01-0020-CC-D-EE	15	0,5	20,0	20,0	19,5 - 21,3	33,1	42,7	60	28	7	6	5
747-01-0021-CC-D-EE	15	1/2	21,7	21,7	21,0 - 23,0	34,8	42,7	60	28	7	6	5
747-01-0025-CC-D-EE	20		25,0	25,0	24,0 - 26,5	38,1	42,7	60	28	7	6	5
747-01-0027-CC-D-EE	20	3/4	27,2	26,7	26,0 - 28,5	40,3	42,7	60	28	7	6	5
747-01-0028-CC-D-EE	20		28,2	28,2	26,4 - 29,5	41,3	42,7	60	28	7	6	5
747-01-0030-CC-D-EE	25		30,0	30,0	29,0 - 31,5	43,1	42,7	60	28	7	6	5
747-01-0032-CC-D-EE	25		32,0	32,0	31,0 - 33,5	45,1	42,7	60	28	7	6	5
747-01-0034-CC-D-EE	25	1	34,0	33,7	33,0 - 35,5	47,1	42,7	60	28	7	6	5
747-01-0038-CC-D-EE	32		38,0	38,0	37,0 - 39,5	51,1	42,7	60	28	7	6	5
747-01-0040-CC-D-EE	32		40,0	40,0	39,5 - 41,8	53,1	42,7	60	28	7	6	5
747-01-0042-CC-D-EE	32	1 1/4	42,7	42,7	42,0 - 44,5	55,8	42,7	60	28	7	6	5
747-01-0044-CC-D-EE	2		44,5	44,5	44,0 - 46,5	57,6	42,7	60	28	7	6	5
747-01-0048-CC-D-EE	40	1 1/2	48,6	48,6	47,5 - 50,5	61,7	42,7	60	28	7	6	5
747-01-0050-CC-D-EE	40		50,8	50,0	49,2 - 51,5	63,9	42,7	60	28	7	6	5
747-01-0054-CC-D-EE	50		54,0	54,0	53,0 - 56,0	70,0	42,7	80	44	12	8	6
747-01-0057-CC-D-EE	50		57,0	57,0	56,0 - 59,0	73,0	42,7	80	44	12	8	6
747-01-0060-CC-D-EE	50	2	60,5	60,5	59,0 - 62,0	76,5	42,7	80	44	12	8	6
747-01-0063-CC-D-EE	50		63,0	63,0	62,0 - 65,0	79,0	42,7	80	44	12	8	6
747-01-0066-CC-D-EE	65		66,7	66,8	65,4 - 69,0	82,7	37,3	80	44	12	8	6
747-01-0069-CC-D-EE	65		69,0	69,0	68,5 - 72,0	85,0	37,3	80	44	12	8	6
747-01-0073-CC-D-EE	65		73,0	73,0	72,5 - 76,5	89,0	37,3	80	44	12	8	6
747-01-0076-CC-D-EE	65	2 1/2	76,3	75,0	75,0 - 79,0	92,3	37,3	80	44	12	8	6
747-01-0079-CC-D-EE	80		79,9	79,9	78,8 - 83,0	99,9	37,3	110	59	15	8	6
747-01-0084-CC-D-EE	80		84,0	84,0	82,5 - 86,0	104,0	37,3	110	59	15	8	6
747-01-0089-CC-D-EE	80	3	89,1	90,0	88,0 - 92,0	109,1	37,3	110	59	15	12	10
747-01-0101-CC-D-EE	90		101,6	101,6	100,0 - 104,0	121,6	37,3	110	59	15	12	10
747-01-0104-CC-D-EE	100		104,0	104,0	102,0 - 106,0	124,0	37,3	110	59	15	12	10
747-01-0106-CC-D-EE	100		106,3	106,3	105,0 - 108,5	126,3	37,3	110	59	15	12	10
747-01-0108-CC-D-EE	100		108,0	108,0	106,0 - 110,0	128,0	37,3	110	59	15	12	10
747-01-0114-CC-D-EE	100	4	114,3	114,3	113,0 - 118,0	134,3	37,3	110	59	15	12	10
747-01-0127-CC-D-EE	125		127,0	127,0	125,0 - 129,5	148,5	37,3	111	59	25	12	10
747-01-0129-CC-D-EE	125		129,0	129,0	127,5 - 131,0	150,5	37,3	111	59	25	12	10
747-01-0133-CC-D-EE	125		133,0	131,7	131,0 - 135,5	154,5	37,3	111	59	25	12	10
747-01-0139-CC-D-EE	125	5	139,8	139,7	138,0 - 142,5	161,3	37,3	111	59	25	12	10
747-01-0141-CC-D-EE	125		141,3	140,0	139,5 - 144,0	162,8	37,3	111	59	25	12	10
747-01-0154-CC-D-EE	150		154,0	154,0	151,5 - 156,0	175,5	32,0	111	59	25	12	10
747-01-0159-CC-D-EE	150		159,0	160,0	156,0 - 161,0	180,5	32,0	111	59	25	12	10
747-01-0165-CC-D-EE	150	6	165,2	165,2	164,0 - 168,5	186,7	32,0	111	59	25	12	10
747-01-0168-CC-D-EE	150		168,3	168,3	166,0 - 170,5	189,8	32,0	111	59	25	12	10
747-01-0180-CC-D-EE	175		180,0	180,0	178,0 - 183,0	201,5	26,7	111	59	30	12	10
747-01-0200-CC-D-EE	200		200,0	200,0	198,0 - 203,5	225,5	21,3	150	89	45	14	12
747-01-0204-CC-D-EE	200		204,0	204,0	202,0 - 206,5	229,5	21,3	150	89	45	14	12
747-01-0216-CC-D-EE	200	8	216,3	216,3	214,0 - 219,0	241,8	21,3	150	89	45	14	12
747-01-0219-CC-D-EE	200		219,1	219,0	216,5 - 222,0	244,6	21,3	150	89	45	14	12
747-01-0254-CC-D-EE	250		254,0	254,0	251,0 - 257,0	279,5	21,3	150	89	45	14	12
747-01-0267-CC-D-EE	250	10	267,4	267,0	262,0 - 270,0	292,9	21,3	150	89	45	14	12
747-01-0273-CC-D-EE	250		273,1	273,0	270,0 - 277,0	298,6	21,3	150	89	45	14	12
747-01-0304-CC-D-EE	300		304,0	304,0	301,5 - 309,0	329,5	18,7	150	89	75	14	12
747-01-0318-CC-D-EE	300	12	318,5	318,5	316,0 - 323,0	344,0	18,7	150	89	75	14	12
747-01-0323-CC-D-EE	300		323,9	323,9	322,0 - 329,0	349,4	18,7	150	89	75	14	12
747-01-0355-CC-D-EE	350	14	355,6	355,0	352,0 - 361,0	381,1	18,7	150	89	75	14	12
747-01-0406-CC-D-EE	400	16	406,4	406,4	402,0 - 411,0	431,9	16,0	150	89	75	14	12
747-01-0457-CC-D-EE	450	18	457,2	457,2	453,0 - 462,0	482,7	16,0	150	89	90	14	12
747-01-0508-CC-D-EE	500	20	508,0	508,0	504,0 - 513,0	533,5	13,3	150	89	90	14	12
747-01-0558-CC-D-EE	550	22	558,8	559,0	554,0 - 564,0	584,3	12,3	150	89	90	14	12
747-01-0609-CC-D-EE	600	24	609,6	610,0	605,0 - 615,0	635,1	11,2	150	89	90	14	12
747-01-0660-CC-D-EE	650	26	660,4	660,0	654,0 - 666,0	685,9	10,7	150	89	90	14	12
747-01-0711-CC-D-EE	700	28	711,2	711,0	705,0 - 717,0	736,7	9,9	150	89	90	14	12
747-01-0762-CC-D-EE	750	30	762,0	762,0	756,0 - 768,0	787,5	9,6	150	89	90	14	12
747-01-0812-CC-D-EE	800	32	812,8	813,0	806,0 - 818,0	838,3	9,1	150	89	90	14	12
747-01-0863-CC-D-EE	850	34	863,6	864,0	857,0 - 869,0	889,1	8,5	150	89	90	14	12
747-01-0914-CC-D-EE	900	36	914,4	914,0	908,0 - 920,0	939,9	8,0	150	89	90	14	12
747-01-1016-CC-D-EE	1000	40	1016,0	1016,0	1010,0 - 1022,0	1041,5	7,2	150	89	90	14	12

Note: the above tables are guides to the most common sizes. Couplings to suit specific diameters not listed may be manufactured to order. Please contact our sales department for further details. Figures are based on typical values for standard wall carbon steel pipe. For use on thin or soft pipe materials such as thin wall stainless, copper alloy or plastic (by way of example only) please check with us first.

REPICO® RE

REPAIR COUPLING FOR ELBOWS

For all pipes, stainless steel 316L



1	Body	Stainless steel 316L
2	Slide plate	Stainless steel 316L
3	Bolt	Stainless steel A4, coated

4	Bar nut	Stainless steel 316
5	Bar washer	Stainless steel 316
6	Sealing	EPDM, NBR, Silicone or FKM

Components may be substituted with equivalent or higher-class materials without prior notification.



Remarks:

- Follow the fitting/disassembly instructions
- Working pressure for industrial and land-based applications: minimum burst pressure is 1,5 x PN

Article number	Pipe DN	Nom. Diam.	Pipe OD		Coupling range (mm)	D (mm)	Working pressure (bar)	Length		Torque Nm	Thread M	Allen head mm
			DIN/ISO	Other				L12 (mm)	L10 (mm)			
			mm	mm			Industry SF1,5					
747-71-0015-CC-D-EE	13		15,8	15,8	15,3 - 17,0	34,0	53,3	27	8	7	6	5
747-71-0020-CC-D-EE	15		20,0	20,0	19,5 - 21,3	38,0	46,7	27	10	7	6	5
747-71-0021-CC-D-EE	15	1/2	21,7	21,7	21,0 - 23,0	39,0	46,7	27	10	7	6	5
747-71-0025-CC-D-EE	20		25,0	25,0	24,0 - 26,5	43,0	46,7	27	10	7	6	5
747-71-0027-CC-D-EE	20	3/4	27,2	26,7	26,0 - 28,5	45,0	46,7	27	10	7	6	5
747-71-0028-CC-D-EE	20		28,2	28,2	26,4 - 29,5	46,0	46,7	27	10	7	6	5
747-71-0030-CC-D-EE	25		30,0	30,0	29,0 - 31,5	48,0	46,7	27	10	7	6	5
747-71-0032-CC-D-EE	25		32,0	32,0	31,0 - 33,5	50,0	46,7	27	10	7	6	5
747-71-0034-CC-D-EE	25	1	34,0	33,7	33,0 - 35,5	52,0	46,7	27	10	7	6	5
747-71-0038-CC-D-EE	32		38,0	38,0	37,0 - 39,5	56,0	46,7	27	10	7	6	5
747-71-0040-CC-D-EE	32		40,0	40,0	39,5 - 41,8	58,0	46,7	27	10	7	6	5
747-71-0042-CC-D-EE	32	1 1/4	42,7	42,7	42,0 - 44,5	61,0	46,7	27	10	7	6	5
747-71-0044-CC-D-EE	32		44,5	44,5	44,0 - 46,5	62,5	46,7	27	10	7	6	5
747-71-0048-CC-D-EE	40	1 1/2	48,6	48,6	47,5 - 50,5	66,0	40,0	27	10	7	6	5
747-71-0050-CC-D-EE	40		50,8	50,0	49,2 - 51,5	68,8	40,0	27	10	7	6	5
747-71-0054-CC-D-EE	50		54,0	54,0	53,0 - 56,0	78,6	40,0	40	18	15	8	6
747-71-0057-CC-D-EE	50		57,0	57,0	56,0 - 59,0	81,6	40,0	40	18	15	8	6
747-71-0060-CC-D-EE	50	2	60,5	60,5	59,0 - 62,0	85,0	40,0	40	18	15	8	6
747-71-0063-CC-D-EE	50		63,0	63,0	62,0 - 65,0	87,6	40,0	40	18	15	8	6
747-71-0066-CC-D-EE	65		66,7	66,8	65,4 - 69,0	91,3	40,0	40	18	15	8	6
747-71-0069-CC-D-EE	65		69,0	69,0	68,5 - 72,0	93,6	40,0	40	18	15	8	6
747-71-0073-CC-D-EE	65		73,0	73,0	72,5 - 76,5	97,6	40,0	40	18	15	8	6
747-71-0076-CC-D-EE	65	2 1/2	76,3	75,0	75,0 - 79,0	101,0	40,0	40	18	15	8	6
747-71-0079-CC-D-EE	80		79,9	79,9	78,8 - 83,0	103,9	40,0	60	29	28	12	10
747-71-0084-CC-D-EE	80		84,0	84,0	82,5 - 86,0	108,0	40,0	60	29	28	12	10
747-71-0089-CC-D-EE	90	3	89,1	90,0	88,0 - 92,0	113,1	40,0	60	29	28	12	10
747-71-0101-CC-D-EE	90		101,6	101,6	100,0 - 104,0	125,6	40,0	60	29	28	12	10
747-71-0104-CC-D-EE	100		104,0	104,0	102,0 - 106,0	128,0	33,3	60	29	28	12	10
747-71-0106-CC-D-EE	100		106,3	106,3	105,0 - 108,5	130,3	33,3	60	29	28	12	10
747-71-0108-CC-D-EE	100		108,0	108,0	106,0 - 110,0	132,0	33,3	60	29	28	12	10
747-71-0114-CC-D-EE	100	4	114,3	114,3	113,0 - 118,0	138,3	33,3	60	29	28	12	10
747-71-0127-CC-D-EE	125		127,0	127,0	125,0 - 129,5	151,0	24,0	60	29	28	12	10
747-71-0129-CC-D-EE	125		129,0	129,0	127,5 - 131,0	153,0	24,0	60	29	28	12	10
747-71-0133-CC-D-EE	125		133,0	131,7	131,0 - 135,5	157,0	24,0	60	29	28	12	10
747-71-0139-CC-D-EE	125	5	139,8	139,7	138,0 - 142,5	163,8	24,0	60	29	28	12	10
747-71-0141-CC-D-EE	125		141,3	140,0	139,5 - 144,0	165,3	24,0	60	29	28	12	10
747-71-0154-CC-D-EE	150		154,0	154,0	151,5 - 156,0	178,0	24,0	60	29	28	12	10
747-71-0159-CC-D-EE	150		159,0	160,0	156,0 - 161,0	183,0	24,0	60	29	28	12	10
747-71-0165-CC-D-EE	150	6	165,2	165,2	164,0 - 168,5	189,2	24,0	60	29	28	12	10
747-71-0168-CC-D-EE	150		168,3	168,3	166,0 - 170,5	192,3	24,0	60	29	28	12	10
747-71-0180-CC-D-EE	175		180,0	180,0	178,0 - 183,0	204,0	21,3	60	29	28	12	10
747-71-0200-CC-D-EE	200		200,0	200,0	198,0 - 203,5	225,0	21,3	61	29	40	12	10
747-71-0204-CC-D-EE	200		204,0	204,0	202,0 - 206,5	229,0	21,3	61	29	40	12	10
747-71-0216-CC-D-EE	200	8	216,3	216,3	214,0 - 219,0	241,3	21,3	61	29	40	12	10
747-71-0219-CC-D-EE	200		219,1	219,0	216,5 - 222,0	244,1	21,3	61	29	40	12	10
747-71-0254-CC-D-EE	250		254,0	254,0	251,0 - 257,0	279,0	21,3	61	29	40	12	10
747-71-0267-CC-D-EE	250	10	267,4	267,0	262,0 - 270,0	292,4	21,3	61	29	40	12	10
747-71-0273-CC-D-EE	250		273,1	273,0	270,0 - 277,0	298,1	21,3	61	29	40	12	10
747-71-0304-CC-D-EE	300		304,0	304,0	301,5 - 309,0	329,0	17,3	61	29	40	12	10
747-71-0318-CC-D-EE	300	12	318,5	318,5	316,0 - 323,0	343,5	17,3	61	29	40	12	10
747-71-0323-CC-D-EE	300		323,9	323,9	322,0 - 329,0	348,9	17,3	61	29	40	12	10
747-71-0355-CC-D-EE	350	14	355,6	355,0	352,0 - 361,0	380,6	16,0	61	29	40	12	10
747-71-0406-CC-D-EE	400	16	406,4	406,4	402,0 - 411,0	431,4	14,7	61	29	40	12	10
747-71-0457-CC-D-EE	450	18	457,2	457,2	453,0 - 462,0	482,2	13,3	61	29	40	12	10
747-71-0508-CC-D-EE	500	20	508,0	508,0	504,0 - 513,0	533,0	12,0	61	29	40	12	10

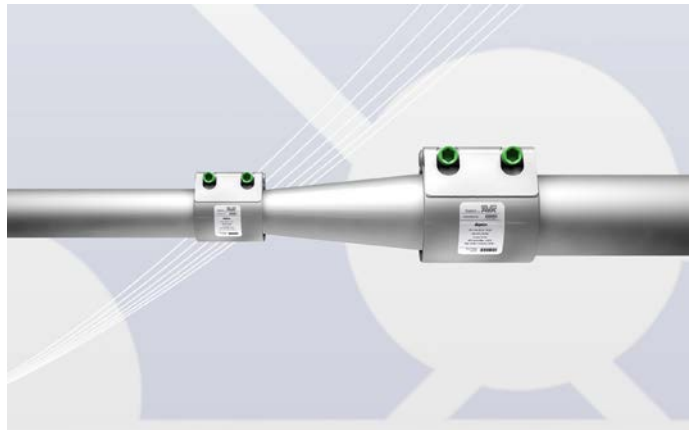
Note: the above tables are guides to the most common sizes. Couplings to suit specific diameters not listed may be manufactured to order. Please contact our sales department for further details. Figures are based on typical values for standard wall carbon steel pipe. For use on thin or soft pipe materials such as thin wall stainless, copper alloy or plastic (by way of example only) please check with us first.

REPICO® - ENGINEERED PRODUCTS

AVK offers simple, fast, and cost-efficient installation solutions with the standard Repico® product range. In addition to standard products, we provide engineered solutions tailored to specific project requirements, supporting efficient installation and delivering ready-to-install systems for optimal performance.

Reducer / Expander

Repico® reducers provide a simple and reliable solution for connecting pipes with different outside diameters. They enable smooth transitions between pipe sizes while maintaining a secure and leak-tight connection.

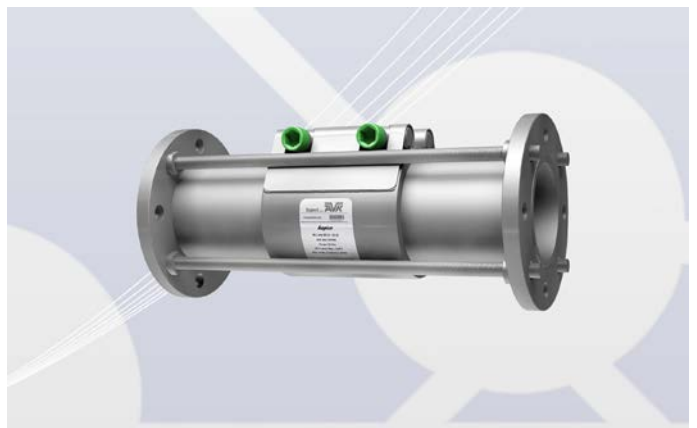


Flange Adapter

A fast and efficient solution for the installation of valves and pumps. The Repico® flange adapter also absorbs vibrations and reduces noise, ensuring reliable and smooth system performance.

Dismantling joint

Provides a practical solution for the installation and maintenance of valves, pumps, and other equipment. Creates the necessary space for easy access and removal, eliminating the need to dismantle large pipe sections and reducing downtime.



For more information on Repico® engineered solutions, please contact our sales team for expert advice and support.

REPICO® - ACCESSORIES

Inserts

For optimal performance, AVK recommends the use of inserts when applying Repico® couplings on PE pipes. AVK inserts are manufactured from stainless steel AISI 304 and are available for all SDR sizes. They are offered in both wedge-type and Scandic-type designs and are pickled and passivated to ensure excellent corrosion resistance and long-term durability.



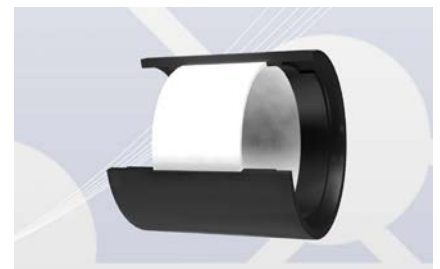
Wedge type



Scandic type

Insert ring

The strip insert protects the sealing sleeve against increased mechanical and chemical loads, ensuring long-term durability. It prevents moisture-related expansion of the sealing sleeve and allows for larger gaps between pipe ends. In addition, it accommodates greater angular deflection and misalignment. With the strip insert, Repico® couplings can be reliably used in both vacuum and high pressure applications.



Insert ring

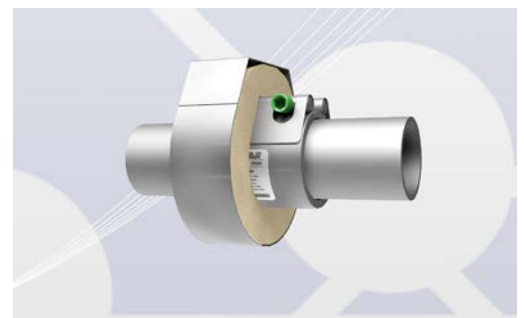


Torque wrench

For correct and reliable installation of Repico® (repair) couplings, the use of a torque wrench is essential. It ensures accurate bolt tightening, contributing to optimal performance and long-term reliability.

Repico® FRC – Fire resistant cover

- For fire protection applications up to max. +800°C for 30 minutes
- Installation can be done afterwards
- In case of fire the protected coupling retains its functionality
- No chemicals in protection rubber materials
- Easy assembling and low weight
- For the complete Repico® (repair) couplings range
- Tested in accordance with ISO_19921 and ISO_19922



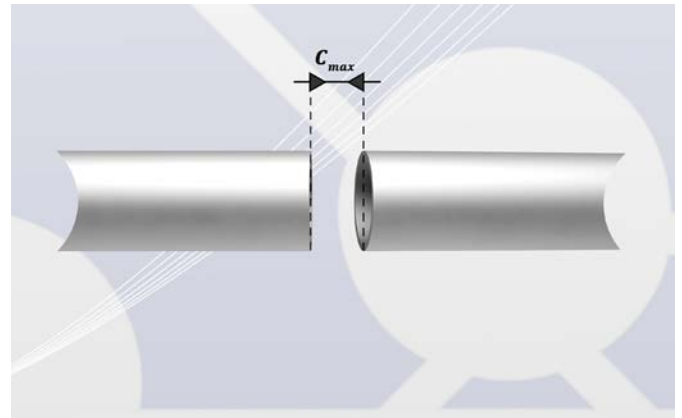
For more information on Repico® accessories, please contact our sales team for expert advice and support.

INSTALLATION CONDITIONS

Repico® couplings offer flexibility during installation, even when external conditions are not optimal. To ensure correct and reliable performance, the general installation guidelines outlined below should be followed.

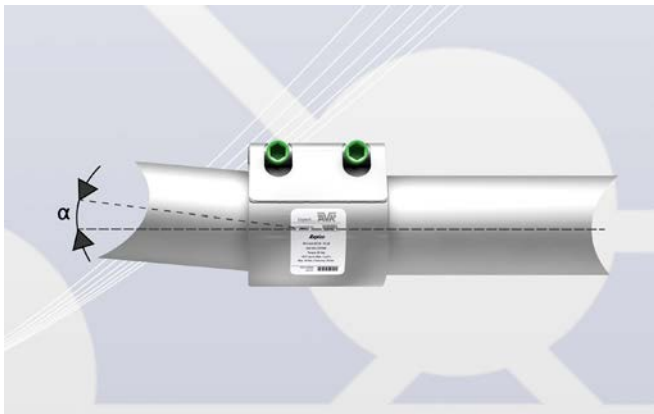
Distance between pipe ends

C _{max}	
DN15 - DN65 mm	0 - 8mm
> DN80 mm	0 - 15mm



Angular deflection (α)

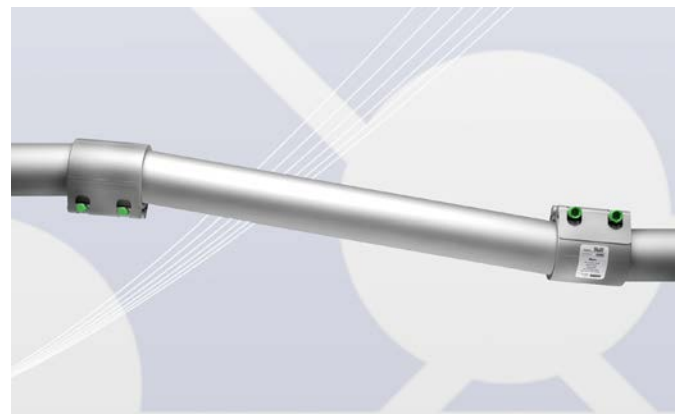
Repico® couplings allow for angular deflection in all directions along the pipe axis, providing flexibility during installation. The allowable angular deflection depends on the nominal diameter of the pipe.



Size	Angular deflection (α)
DN 15 - DN 50	5°
DN 65 - DN 175	4°
≥ DN 200	2°

Lateral displacement

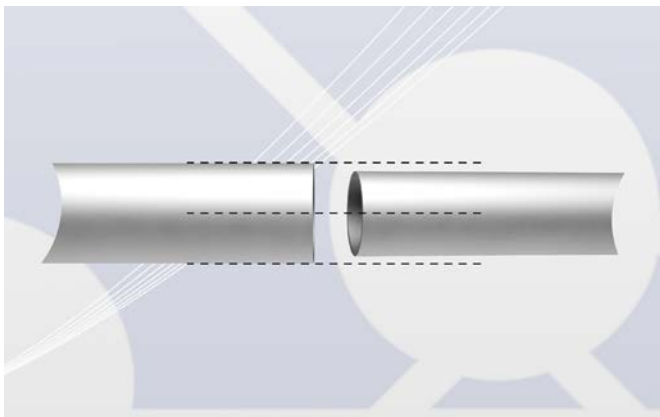
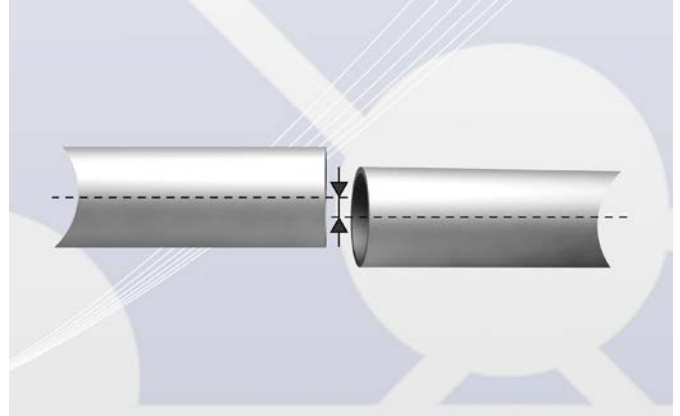
By utilizing the allowable angular deflection, Repico® couplings can absorb expected pipe movement and displacement. This helps to reduce stress on the system, preventing potential failures, minimizing maintenance costs, and avoiding unplanned downtime.



INSTALLATION CONDITIONS

Axial misalignment

Repico® couplings allow for axial misalignment of up to 1% of the pipe's outside diameter (OD), with a maximum of 3 mm. This tolerance supports flexible installation and accommodates minor deviations without compromising connection integrity.



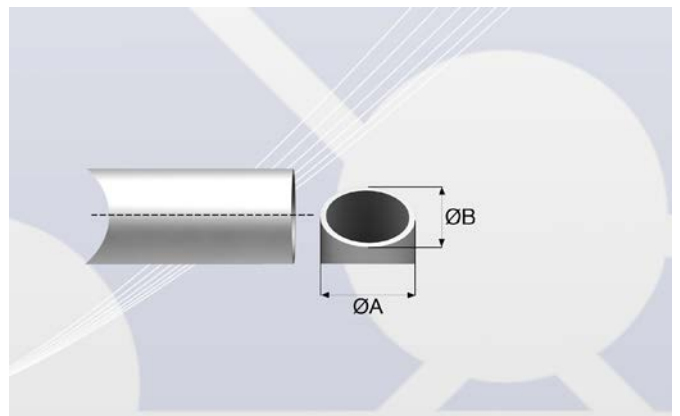
Allowable outside diameter difference

Repico® couplings are designed to connect pipes with different outside diameters, providing flexibility in installation. The allowable difference is up to 1% of the pipe's outside diameter (OD), with a maximum of 3 mm, ensuring a secure and reliable connection.

Pipe ovality

Repico® couplings are sufficiently flexible to accommodate a certain degree of pipe ovality during installation, ensuring a secure and reliable connection even under non-ideal conditions.

$$\text{ØA} > \text{ØB} : \leq 2\% \text{ (max. 5 mm)}$$

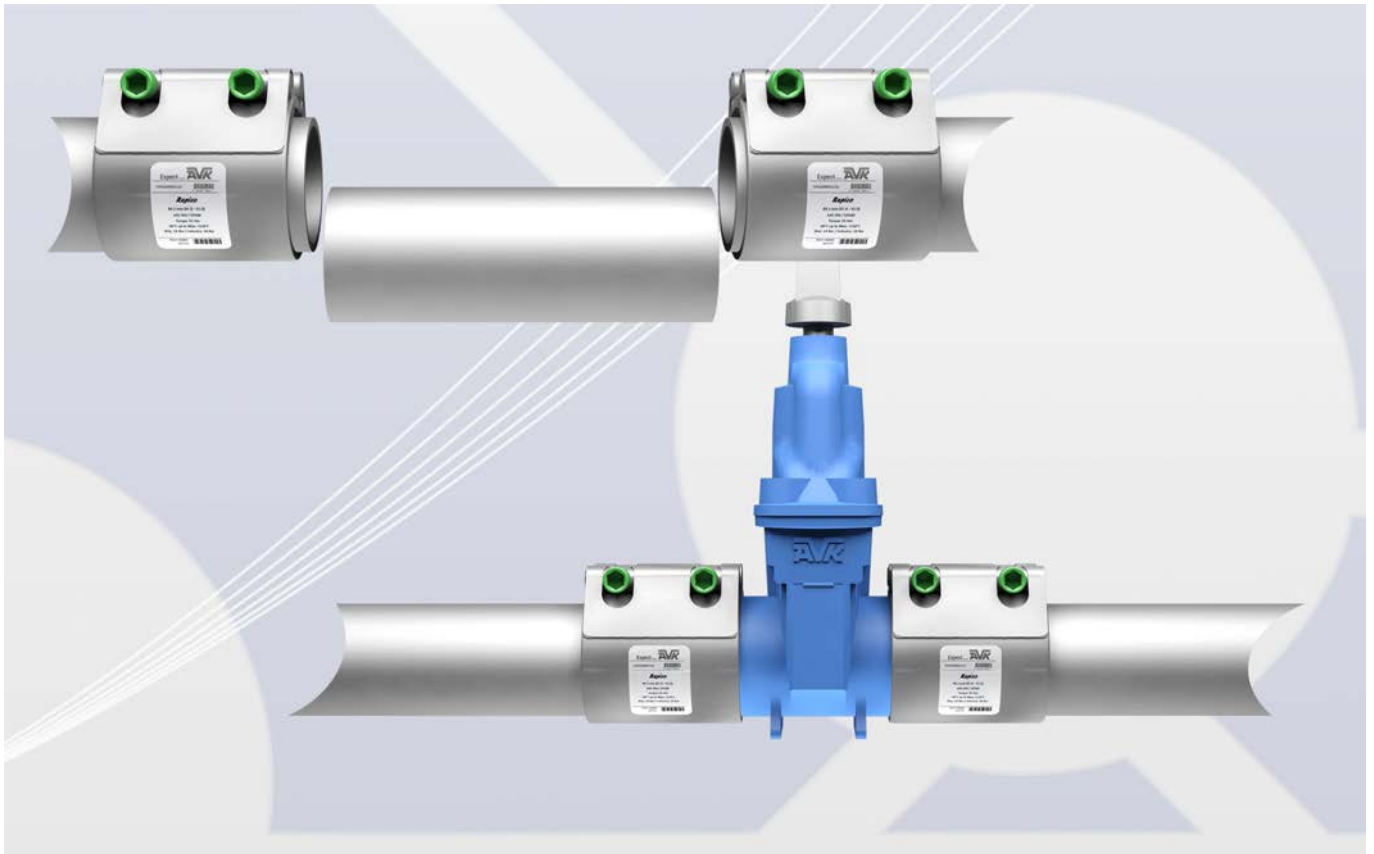


INSTALLATION CONDITIONS

Replacing a pipe section or adding fittings or valves

Repico® couplings enable fast and cost-effective installation when modifying existing pipelines.



Whether replacing pipe sections, adding branches, or installing valves, they provide a simple solution that minimizes downtime and reduces overall installation costs.



Repico® couplings are not designed to absorb torsional or bending forces.

Pipe systems must therefore be properly supported, anchored, and guided to ensure safe and reliable operation.

PRODUCT OVERVIEW

Type	Pipe DN, mm	Width	 Pressure PN	 Pressure PN
Couplings				
Repico® G - Grip	15 - 400	60 - 150	42,7 to 16,0	16,0 to 6,0
Repico® GP - Grip Plastic	40 - 200	60 - 150	16,0 to 10,0	
Repico® S - Slip	15 - 600	60 - 150	42,7 to 11,2	16,0 to 4,0
Repico® SD - Slip, 2 locks	50 - 1000	80 - 150	42,7 to 7,2	
Repico® SG - Slip Grip	15 - 300	60 - 150	42,7 to 18,7	16,0 to 7,0
Repair couplings				
Repico® RSD - 2 locks	10 - 1000	60 - 150	42,7 to 7,2	
Repico® RH - Hinged	15 - 600	60 - 150	42,7 to 11,2	
Repico® RE - for elbows	13 - 500	27 - 61	42,7 to 12,0	

Connecting	Metal - Metal	Plastic-Plastic	Metal - Plastic	Axial restrained/ flexible
Couplings				
Repico® G - Grip	v			Axial restrained
Repico® GP - Grip Plastic		v		Axial restrained
Repico® S - Slip	v	v	v	Axial flexible
Repico® SD - Slip, 2 locks	v	v	v	Axial flexible
Repico® SG - Slip Grip	v		v	Axial flexible/ Axial restrained
Repair couplings				
Repico® RSD - 2 locks	v	v		
Repico® RH - Hinged	v	v		
Repico® RE - for elbows	v	v		

Material sealings	EPDM	NBR	FKM (on request)	Silicone (On request)
Temperature range	-30°C up to +110°C	-25°C up to +80°C	-30°C up to +250°C	-70°C up to +200°C
Resistance	Heat Aging Ozone Acidity 2-11 pH	Abrasion Aging Acidity 2-11 pH	Corrosive media	Heat Weather
Medium suggestions	Drinking water Waste water Compressed air Alcohol and solids Hot water Acids	Water Gas Oil Fuel Hydrocarbon fluids Aliphatic or non aromatics	Ozone Oxygen Acids Gas Oil Fuel	Steam

Material specifications	Housing	Lock bars	Bolts	Anchoring
W5 (standard)	AISI316L	AISI316L	316 L	301H
W4 (on request)	AISI304L	AISI304L	304 L	301H

TABLES - PIPE SIZES

Pipe DN	Pipe OD											Coupling range (mm)	
	Nom. Diam.	Repico size	DIN/ISO	ASTM	ASTM	KS/JIS	CuNi metric	CuNi imperial	Not all standardised	Some stand-ardised	PE		
			(mm)	(mm)	inch	(mm)	(mm)	(mm)	(mm)	(mm)	(mm)		
15		20,0				0,8		20,0				20,0	19,5 - 20,5
15	1/2	21,7	21,3	21,3		0,8	21,7	21,3					21,2 - 22,2
20		25,0				1,0		25,0		25,0	25,4	25,0	24,5 - 25,5
20	3/4	27,2	26,9	26,9		1,1	27,2						26,7 - 27,7
20		28,2				1,1							27,5 - 29,0
25		30,0				1,2		30,0			30,0		29,5 - 30,5
25		32,0				1,3				31,8		32,0	31,5 - 32,5
25	1	34,0	33,7	33,4		1,3	34,0						33,0 - 34,6
32		38,0				1,5		38,0		38,0			37,5 - 38,5
32		40,0				1,6				40,0		40,0	39,5 - 41,5
32	1 1/4	42,7	42,4	42,4		1,7	42,7						41,9 - 43,0
32		44,5				1,8		44,5			44,5		44,0 - 45,0
40	1 1/2	48,6	48,3	48,3		1,9	48,6						47,8 - 49,0
40		50,8				2,0				51,0		50,0	49,5 - 51,5
50		54,0				2,1					54,0		53,4 - 54,6
50		57,0				2,2		57,0		57,0			56,4 - 57,6
50	2	60,5	60,3	60,3		2,4	60,5						59,0 - 61,5
50		63,0				2,5				63,5		63,0	62,4 - 63,6
65		66,7				2,6				66,8			65,2 - 67,3
65		69,0				2,7				70,0	70,0		68,0 - 70,1
65	2 1/2	73,0		73,0		2,9				73,0			71,5 - 74,1
65		76,3	76,1			3,0	76,3	76,1		76,1		75,0	75,0 - 77,2
80		79,9				3,1				79,9			78,8 - 80,8
80		84,0				3,3				84,0			83,0 - 84,9
80	3	89,1	88,9	88,9		3,5	89,1	88,9		88,9		90,0	87,8 - 91,0
90		101,6	101,6	101,6		4,0	101,6			101,6			100,4 - 102,6
100		104,0				4,1							103,0 - 104,8
100		106,3				4,2				106,3			105,0 - 107,4
100		108,0				4,3		108,0					106,5 - 108,5
100		110,0				4,3		108,0				110,0	108,5 - 110,6
100	4	114,3	114,3	114,3		4,5	114,3			114,3			113,2 - 115,4
125		127,0				5,0				127,0			125,6 - 128,4
125		129,0				5,1							127,5 - 130,0
125		133,0				5,2		133,0	131,7	133,0			131,6 - 134,4
125	5	139,8	139,7			5,6	139,8			139,7			137,7 - 140,9
125		141,3		141,3		5,6				141,3		140,0	139,7 - 142,5
150		154,0				6,1					152,4		151,5 - 155,0
150		159,0				6,3		159,0	157,7			160,0	156,5 - 160,0
150	6	165,2				6,6	165,2						163,3 - 166,7
150		168,3	168,3	168,3		6,6				168,3	168,3		166,6 - 170,0
175		180,0				7,1						180,0	178,0 - 182,0
200		200,0				7,9						200,0	198,2 - 201,5
200		204,0				8,0							202,7 - 206,7
200	8	216,3				8,6	216,3						214,5 - 218,3
200		219,1	219,1	219,1		8,6		219,1	219,1	219,0			217,0 - 221,0
250		250,0				9,8							247,4 - 252,6
250		254,0				10,0							251,4 - 256,6
250	10	267,4				10,8	267,4	267,0					264,8 - 270,0
250		273,1	273,0	273,1		10,8				273,1	273,0		270,4 - 275,6
300		304,0				12,0							301,5 - 306,6
300		315,0				12,4							313,0 - 319,0
300	12	318,5				12,5	318,5						316,0 - 322,0
300		323,9	323,9	323,9		12,8		323,9	323,9	323,9			321,0 - 327,4
350	14	355,6	355,6	355,6		14,0	355,6					355,0	352,0 - 360,0
400	16	406,4	406,4	406,4		16,0	406,4						402,0 - 410,0
400		400,0										400,0	396,0 - 404,0
450		457,2	457,0										453,0 - 460,0
500	20	500,0										500,0	496,0 - 504,0
500		508,0	508,0	508,0		20,0	508,0	508,0					504,0 - 512,0
550	22	558,8						558,8			559,0	560,0	555,0 - 563,0
600	24	609,6	610,0	609,6		24,0		610,0					605,0 - 614,0
600		616,0								616,0			612,0 - 621,0
650	26	660,4									660,0		654,0 - 666,0
700	28	711,2	711,0	711,0				711,0				710,0	705,0 - 717,0
750	30	762,0						762,0	762,0	762,0			756,0 - 768,0
800	32	812,8	813,0	813,0				813,0					806,0 - 818,0
850	34	863,6									864,0		857,0 - 869,0
900	36	914,4	914,0	914,4		36,0		914,0					908,0 - 920,0
1000	40	1016,0	1016,0	1016,0						1016,0			1010,0 - 1022,0
1100	44	1117,6											1111,0 - 1123,0
1200	48	1219,2	1220,0	1219,0									1213,0 - 1225,0
1300	52	1320,8											1316,0 - 1325,0
1350	54	1371,2											1365,0 - 1377,0
1400	56	1422,4	1420,0										1418,0 - 1427,0
1500	60	1524,0											1518,0 - 1530,0
1600	64	1625,6											1621,0 - 1631,0
1650	66	1676,4											1672,0 - 1682,0
1700	68	1727,2											1722,0 - 1732,0
1800	72	1828,8											1822,0 - 1834,0
1900	76	1930,4											1924,0 - 1936,0
2000	80	2032,0											2026,0 - 2038,0

TABLES - PIPE DIMENSIONS

AND MINIMUM WALL THICKNESS AT NOMINAL PRESSURE PN

Pipe OD		Nominal ø		Minimum pipe wall thickness			
Metric (mm)	Imperial (inch)	Metric (DN)	Imperial (nom)	Stainless steel		CuNi10Fe (DIN)/ CuNi10Mn1Fe (ISO)	
				Metric (mm)	Imperial (inch)	Metric (mm)	Imperial (inch)
26,9	1,059	20	¾	1,5	0,059	1,5	0,059
30,0	1,181			1,5	0,059	1,5	0,059
33,7	1,327	25		1,5	0,059	2,0	0,079
38,0	1,496			1,5	0,059	2,0	0,079
42,4	1,669	32	1¼	1,5	0,059	2,0	0,079
44,5	1,752			1,5	0,059	2,0	0,079
48,3	1,902	40	1½	1,5	0,059	2,0	0,079
54,0	2,126			1,5	0,059	2,0	0,079
57,0	2,244			1,5	0,059	2,0	0,079
60,3	2,374	50	2	1,5	0,059	2,0	0,079
66,6	2,622			2,0	0,079	2,0	0,079
70,0	2,756			2,0	0,079	2,0	0,079
73,0	2,874			2,0	0,079	2,0	0,079
76,1	(3.000)	65	2,5	2,0	0,079	2,0	0,079
79,5	3,130			2,0	0,079	2,0	0,079
84,0	3,307			2,0	0,079	2,0	0,079
88,9	3,500	80	3	2,0	0,079	2,0	0,079
100,6	3,961			2,0	0,079	2,3	0,091
101,6	(4.000)			2,0	0,079	2,3	0,091
104,0	4,094			2,0	0,079	2,3	0,091
104,8	4,126			2,0	0,079	2,3	0,091
108,0	4,252			2,0	0,079	2,3	0,091
114,3	4.500	100	4	2,0	0,079	2,3	0,091
127,0	5.000			2,6	0,102	3,0	0,118
129,0	5,079			2,6	0,102	3,0	0,118
130,2	5,126			2,6	0,102	3,0	0,118
131,0	5,157			3,0	0,118		
133,0	5,236			2,6	0,102	3,0	0,118
139,7	(5.500)			2,6	0,102	3,0	0,118
141,3	5.563	125	5	2,6	0,102	3,0	0,118
154,0	6.063			2,6	0,102	3,0	0,118
155,0	6,102			2,5	0,098		
159,0	6,260			2,6	0,102	3,0	0,118
168,3	6,626	150	6	2,6	0,102	3,5	0,138
193,7	7,626			3,0	0,118	3,5	0,138
206,0	8,110			3,0	0,118		
219,1	8,626	200	8	3,0	0,118	3,5	0,138
244,5	9.626			on request	on request	4,5	0,177
256,0	10.079			on request	on request		
267,0	10.512			on request	on request	4,5	0,177
273,0	10,748	250	10	on request	on request	5,0	0,197
306,0	12,047			on request	on request		
323,9	12,752	300	12	on request	on request	5,5	0,217
355,6	14,000	350	14	on request	on request	6,0	0,236
406,4	16,000	400	16	on request	on request	8,0	0,315
457,2	18,000	450	18	on request	on request	9,0	0,354
508,0	20.000	500	20	on request	on request	10,0	0,394
558,8	22.000	550	22	on request	on request	10,0	0,394
609,6	24.000	600	24	on request	on request	12,0	0,472

Thinner pipe walls may be applied at lower operating pressures; please contact us for further information and technical support.

TABLES - INSTALLATION TIME

Nominal Ø		Installation time per coupling
Metric (dn)	Imperial (norm)	Time (min)
20	3/4	2
25	1	2
32	1 1/4	2
40	1 1/2	2
50	2	3
65	2 1/2	4
80	3	4
100	4	5
125	5	6
150	6	7
200	8	9
225	9	10
250	10	10
300	12	12
350	14	12
400	16	12
450	18	12
500	20	12
550	22	12
600	24	12

The installation steps includes:

- Marking half the coupling width on both pipe ends
- Positioning the coupling over the pipe ends and aligning correctly
- Tightening the bolts using a torque wrench for secure installation

LOGICAL NUMBER SERIES

Repico® couplings - serie 745

745-AA-BBBB-CC-D-EE-FF	
AA	Type
BBBB	Diameter
CC	Material
D	Rubber
EE	Grip
FF	Options

AA	-	Type
01	-	G
03	-	GMP
05	-	GF
10	-	GLP
11	-	GP
20	-	S
24	-	SF
28	-	SD
29	-	SDL
32	-	SDF
33	-	SDFL
36	-	ST
44	-	SQ
52	-	SG

CC	-	Material
11	-	AISI316L (standard)*

* other materials on request available

D	-	Rubber
1	-	EPDM*
2	-	NBR*

* other rubber materials on request available

EE	-	Grip
None / 00	-	No grip
01	-	Grip

FF	-	Options
None / 00	-	No options
02	-	FRC (Fire Resistant Cover)

Repico® repair couplings - serie 747

747-AA-BBBB-CC-D-EE	
AA	Type
BBBB	Diameter
CC	Materials
D	Rubber
EE	Options

AA	-	Type
01	-	RSD
02	-	RSDL
11	-	RSDF
12	-	RSDFL
71	-	RE
81	-	RH
82	-	RHL

CC	-	Material
11	-	AISI316L (standard)*

* other materials on request available

D	-	Rubber
1	-	EPDM*
2	-	NBR*

* other rubber materials on request available

EE	-	Options
None / 00	-	No options
02	-	FRC (Fire Resistant Cover)

AVK YOUR LONG-TERM PARTNER

We believe in long-term partnership and in being close to our market, always putting the needs of our customers first. Our aim is to create a better world around us together with our customers, suppliers, employees and other stakeholders.

Respect for the Environment

Our products are used in vital infrastructures, including water supply, wastewater handling, energy supply, as well as a wide range of industrial applications that together contribute to sustainable development, people's health and an improved environment.

At AVK, we recognise that our global presence requires high ethical standards throughout our organisation and in all our actions. We want to be a responsible and credible company with the ability to balance economic, environmental, and social concerns. Therefore, we support international principles for responsible business operations and contribute to the UN's Sustainable Development Goals (SDGs).

Contribute to sustainable development

The United Nations' 17 Sustainable Development Goals (SDGs) provide the framework for global sustainable development efforts. The goals recognise that social, economic and environmental development are connected with each other and that a common, global effort is needed to achieve sustainable results.



Corporate Social Responsibility

We take our social responsibility seriously and are proud that we have achieved the CSR Performance Ladder level 4. Every year, AVK Industrial Nederland determines several CSR themes to which we will pay extra attention, based on our stakeholder analysis. With these themes we contribute to the United Nations Sustainable Development Goals (SDGs).

People and Environment

We attach great importance to People & Environment in our business operations. In addition to CSR, circular purchasing, the development of the Material Passports, sustainable production, recyclability of raw materials, end products and packaging materials, sustainable energy and social return are essential fundamentals of our business operations.

AVK Nederland BV

Radeweg 12, 8171 MD
Vaassen, Postbus 73
8170 AB Vaassen

T: +31 (0)578574490

E: info@avknederland.nl

www.avknederland.nl

06-2026

Copyright©AVK Group A/S 2026

